

**RWM**  
Round Window Mouldings Inc.

© Copyright 2010

## RWM Inc.

155 North 500 West, Salt Lake City, Utah, 84116

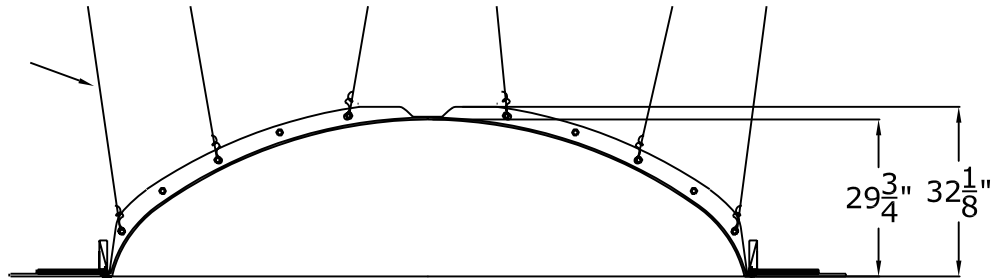
Phone: 801.595.8349 Toll Free 1.800.414.8349

Fax: 801.595.8147 E-mail: info@rwm-inc.com

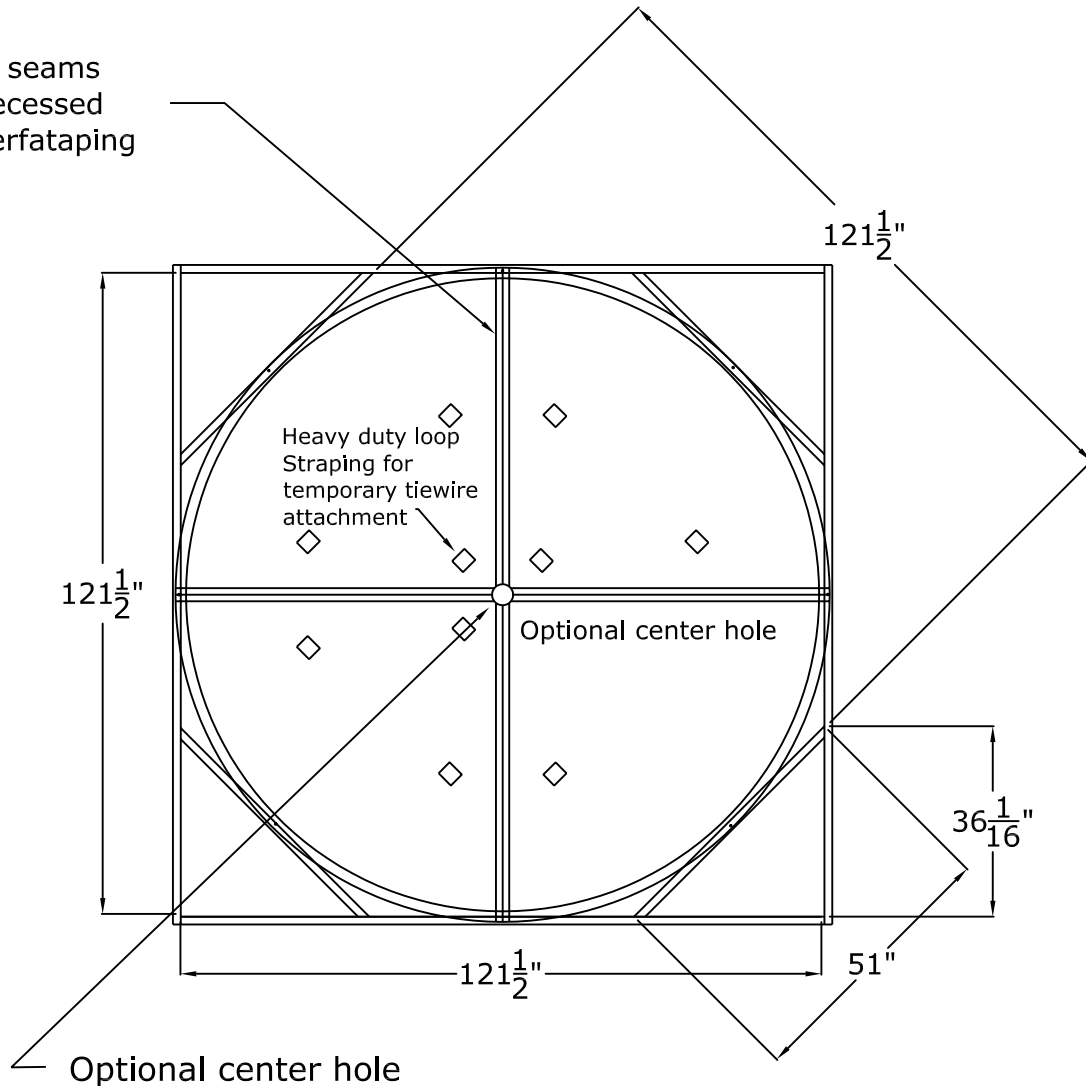
Visit our website at [www.rwm-inc.com](http://www.rwm-inc.com)

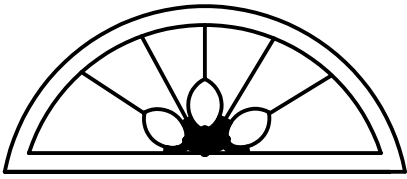
### 10 Foot Round Recessed Dome: 4 Parts with a $32\frac{1}{8}$ " Overall Rise

Drill through both bolt flanges for permanent #9 tiewire anchorments (we recommend a minimum of two per flange)



Inner seams are recessed for perfataping





**RWM**  
Round Window Mouldings Inc.

© Copyright 2010

**RWM Inc.**

155 North 500 West, Salt Lake City, Utah, 84116

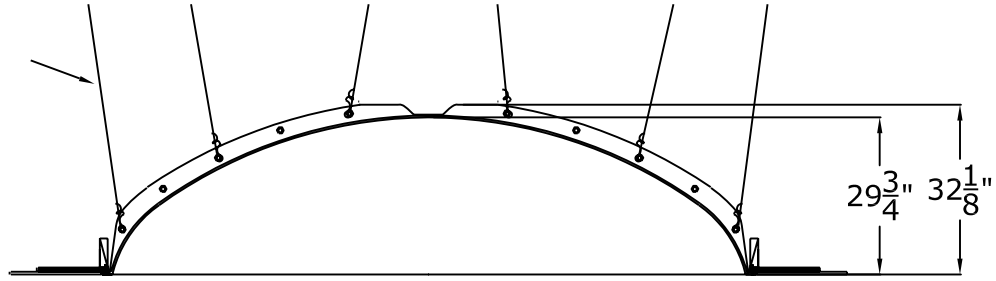
Phone: 801.595.8349 Toll Free 1.800.414.8349

Fax: 801.595.8147 E-mail: info@rwm-inc.com

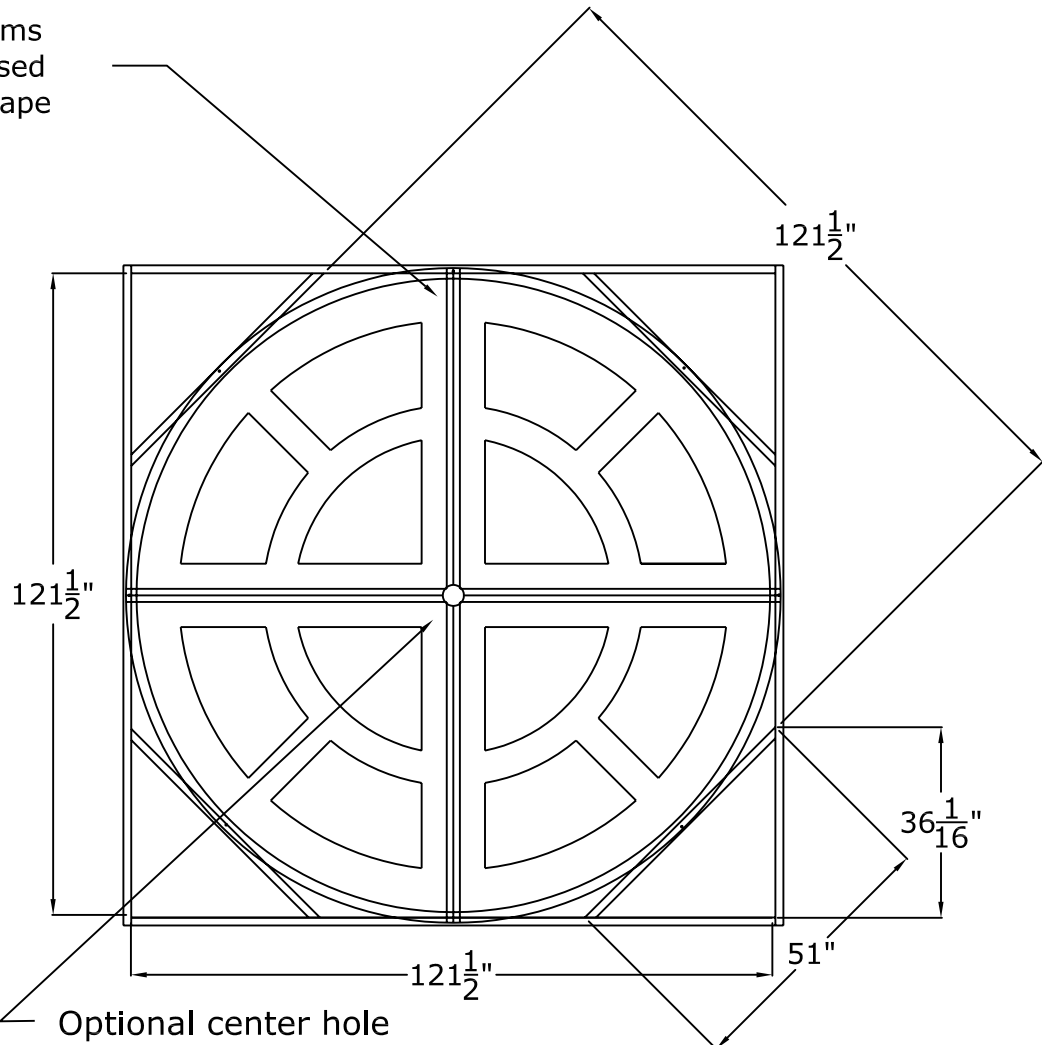
Visit our website at [www.rwm-inc.com](http://www.rwm-inc.com)

**10 Foot Coffered Round Recessed Dome:  
4 Parts with a 32 $\frac{1}{8}$ " Overall Rise(12 Panel)**

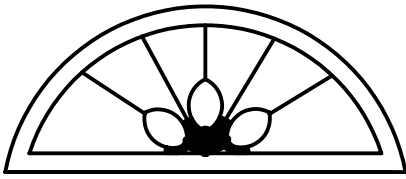
Drill through both bolt flanges for permanent #9 tiewire anchorments (we recommend a minimum of two per flange)



Inner seams are recessed for perfatape



Note: We also add heavy duty loop strapping to the back of the dome for temporary tiewire attachment.



**RWM**

Round Window Mouldings Inc.

© Copyright 2010

# RWM Inc.

155 North 500 West, Salt Lake City, Utah, 84116

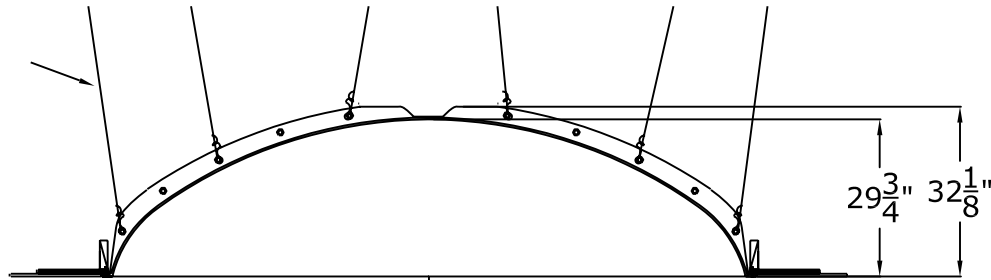
Phone: 801.595.8349 Toll Free 1.800.414.8349

Fax: 801.595.8147 E-mail: info@rwm-inc.com

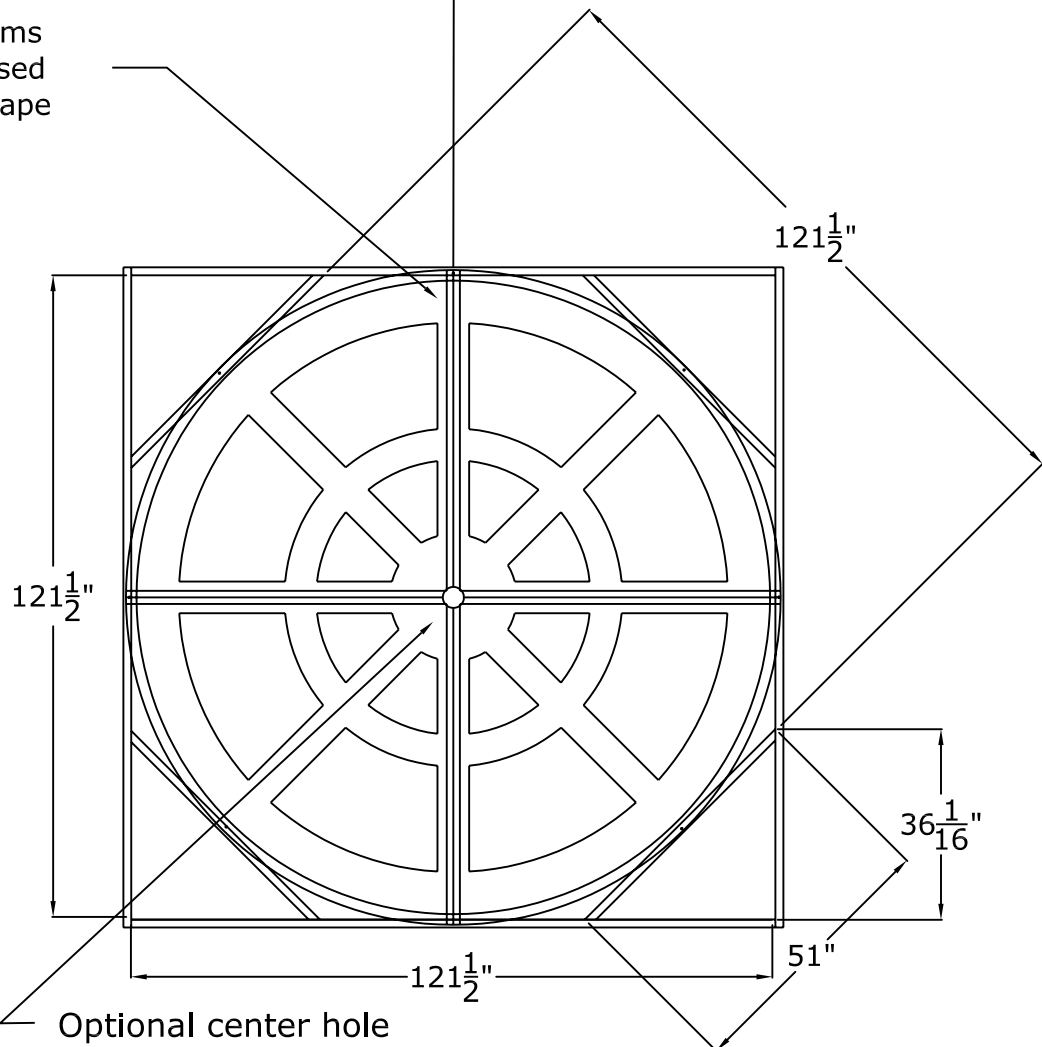
Visit our website at [www.rwm-inc.com](http://www.rwm-inc.com)

## 10 Foot Coffered Round Recessed Dome: 4 Parts with a $32\frac{1}{8}$ " Overall Rise (16 Panel)

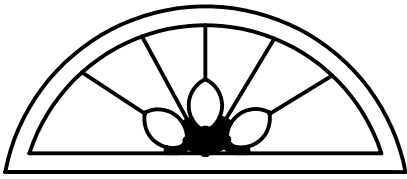
Drill through both bolt flanges for permanent #9 tiewire anchorments (we recommend a minimum of two per flange)



Inner seams are recessed for perfatape



Note: We also add heavy duty loop strapping to the back of the dome for temporary tiewire attachment.



# RWM

Round Window Mouldings Inc.

© Copyright 2008

## RWM Inc.

155 North 500 West, Salt Lake City, Utah, 84116

Phone: 801.595.8349 Toll Free 1.800.414.8349

Fax: 801.595.8147 E-mail: info@rwm-inc.com

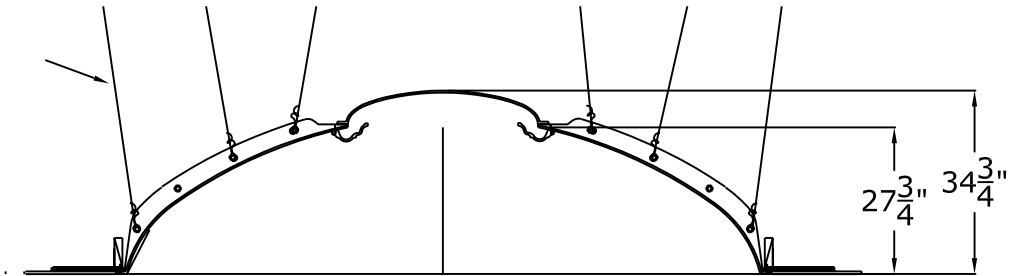
Visit our website at [www.rwm-inc.com](http://www.rwm-inc.com)

### 10 Foot Coffered Round Recessed Dome:

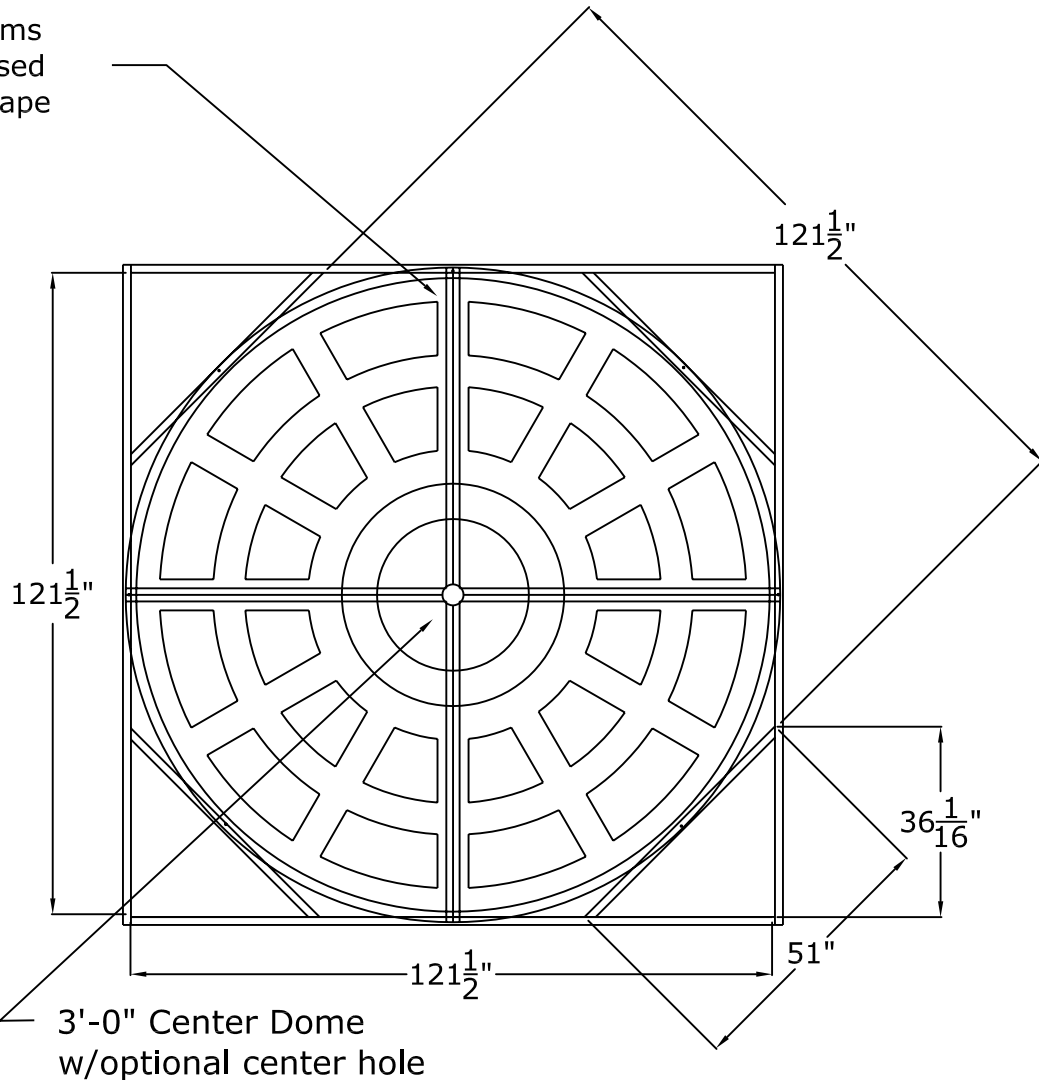
4 Parts with a  $34\frac{3}{4}$ " Overall Rise (24 Panel)

With 3 Foot Top Dome and Lightcover

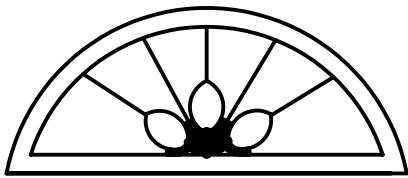
Drill through both bolt flanges for permanent #9 tiewire anchorments (we recommend a minimum of two per flange)



Inner seams are recessed for perfatape



Note: We also add heavy duty loop strapping to the back of the dome for temporary tiewire attachment.



# RWM Inc.

155 North 500 West, Salt Lake City, Utah, 84116

Phone: 801.595.8349 Toll Free 1.800.414.8349

Fax: 801.595.8147 E-mail: info@rwm-inc.com

Visit our website at [www.rwm-inc.com](http://www.rwm-inc.com)

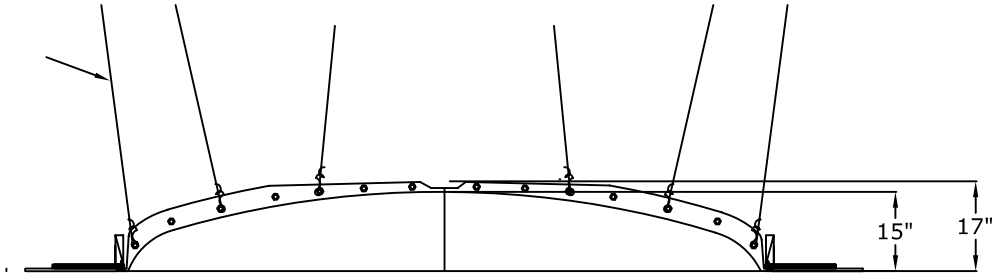
# RWM

Round Window Mouldings Inc.

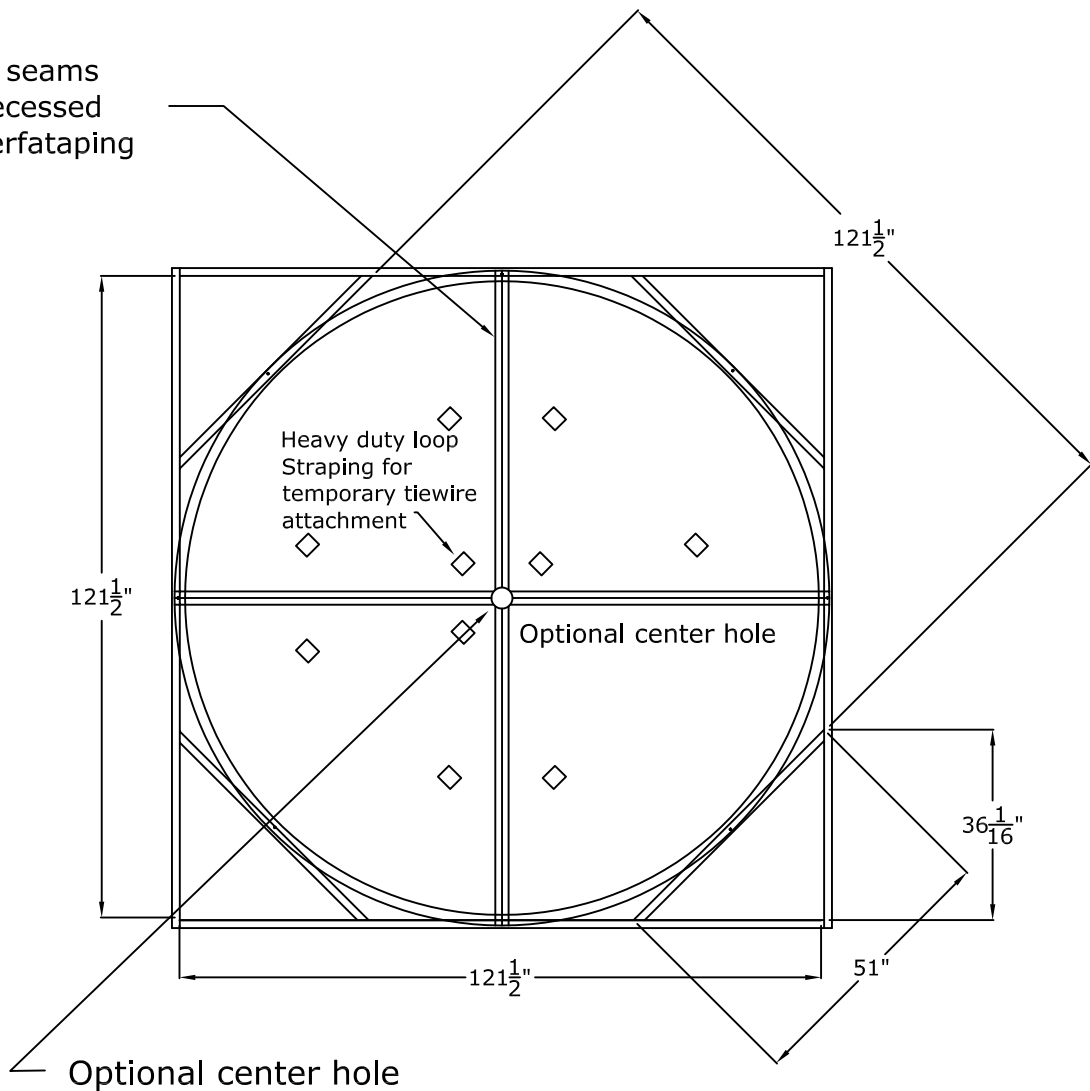
© Copyright 2011

## 10 Foot Round Recessed Dome: 4 Parts with a 17" Overall Rise

Drill through both bolt flanges for permanent #9 tiewire anchorments (we recommend a minimum of two per flange)



Inner seams are recessed for perfataping



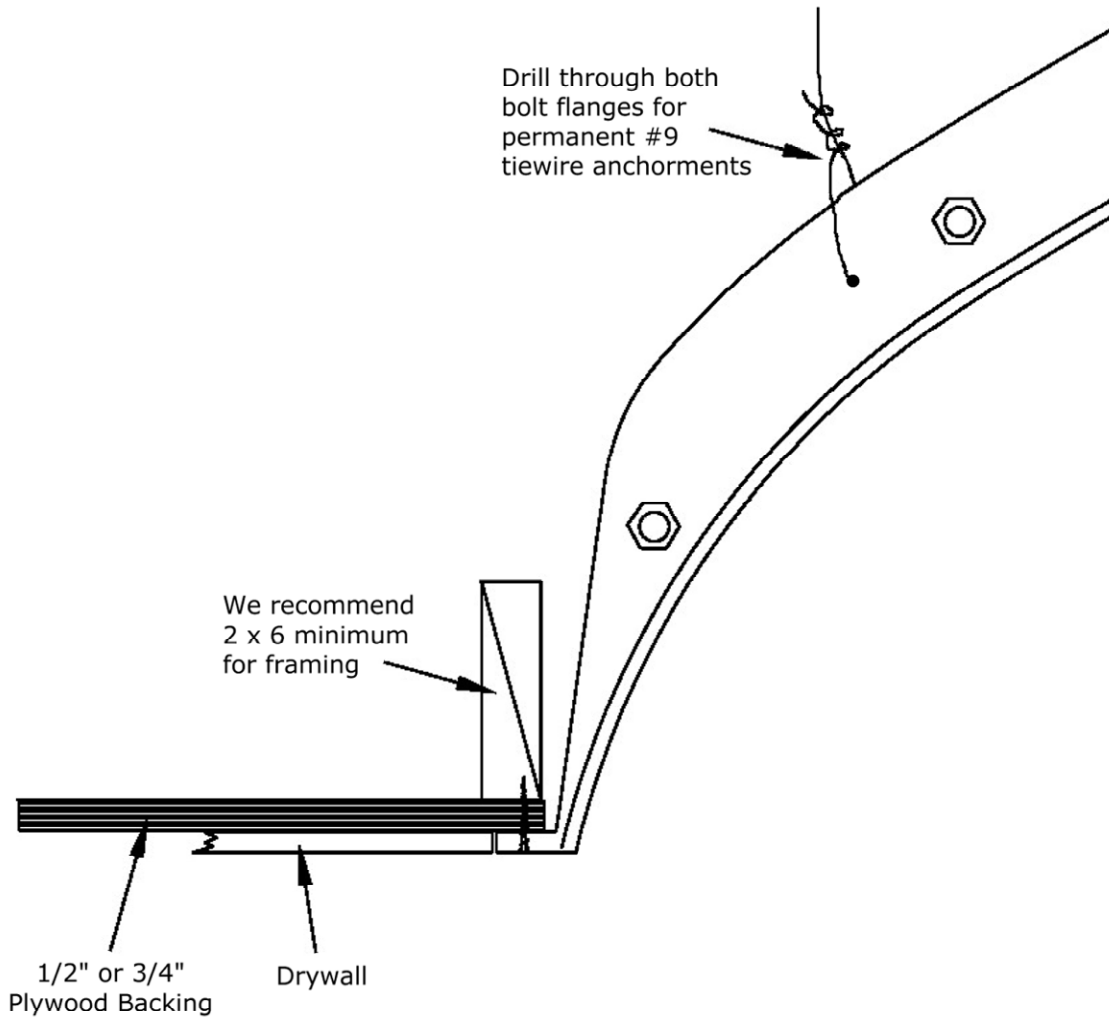


© Copyright 2005

**Round Window Mouldings Inc.**  
155 North 500 West, Salt Lake City, Utah, 84116  
Phone: 801.595.8349 Toll Free: 1.800.414.8349  
Fax: 801.595.8147 E-mail: info@rwm-inc.com

**Visit our Website at [www.rwm-inc.com](http://www.rwm-inc.com)**

### **Anchor Flange Detail: For Larger Domes**

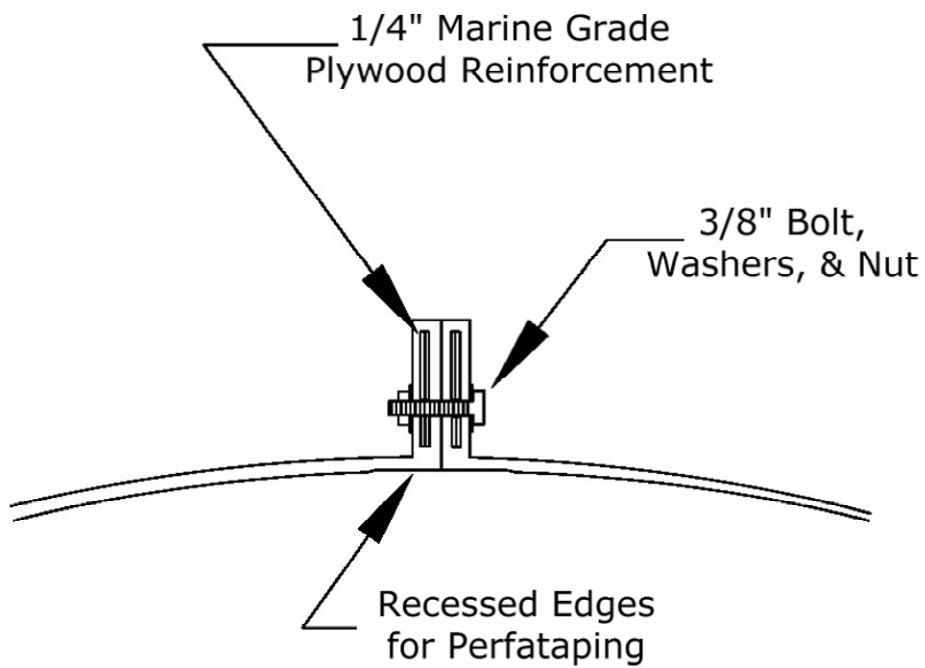




© Copyright 2005

**Round Window Mouldings Inc.**  
155 North 500 West, Salt Lake City, Utah, 84116  
Web: [www.rwm-inc.com](http://www.rwm-inc.com) Toll Free: 1.800.414.8349

### **Dome Flange Detail: For Multi-Piece Domes**





© Copyright 2008

# RWM Inc.

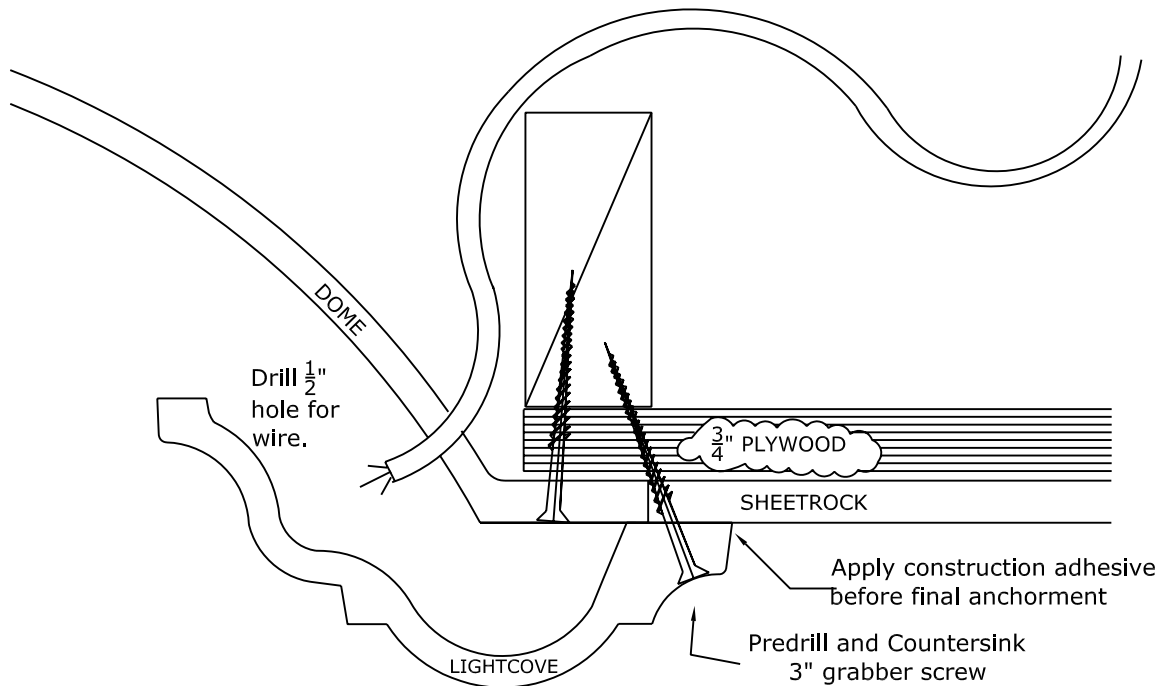
155 North 500 West, Salt Lake City, Utah, 84116

Phone: 801.595.8349 Toll Free 1.800.414.8349

Fax: 801.595.8147 E-mail: info@rwm-inc.com

Visit our website at [www.rwm-inc.com](http://www.rwm-inc.com)

## Standard Lightcove Detail: For Larger Round & Oval Domes



We recommend a minimum of one point of anchor every 16" on lightcove. (this is in addition to a minimum of one point of anchor every 16" for the dome bottom flange, and the recommended minimum of tiewire attachments for the dome. Check the spec sheet for your dome.)

