

Round Window Mouldings Inc.

155 North 500 West, Salt Lake City, Utah, 84116

Phone: 801.595.8349 Toll Free 1.800.414.8349

Fax: 801.595.8147 E-mail: info@rwm-inc.com

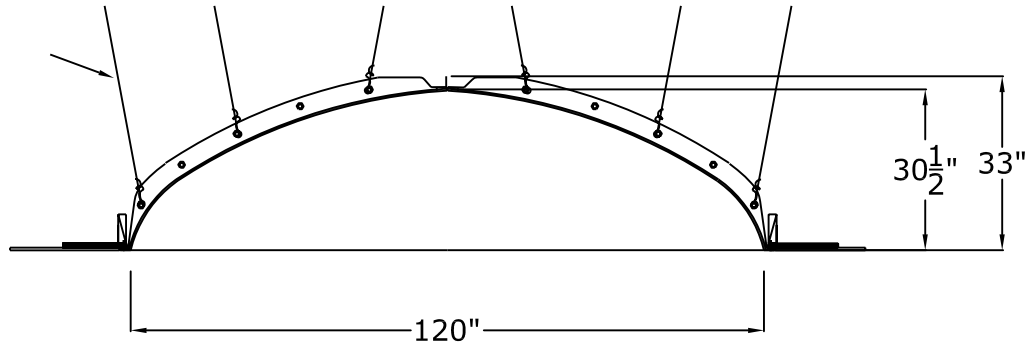
Visit our website at www.rwm-inc.com

10 Foot Round Recessed Dome: 4 Parts with a 33" Overall Rise

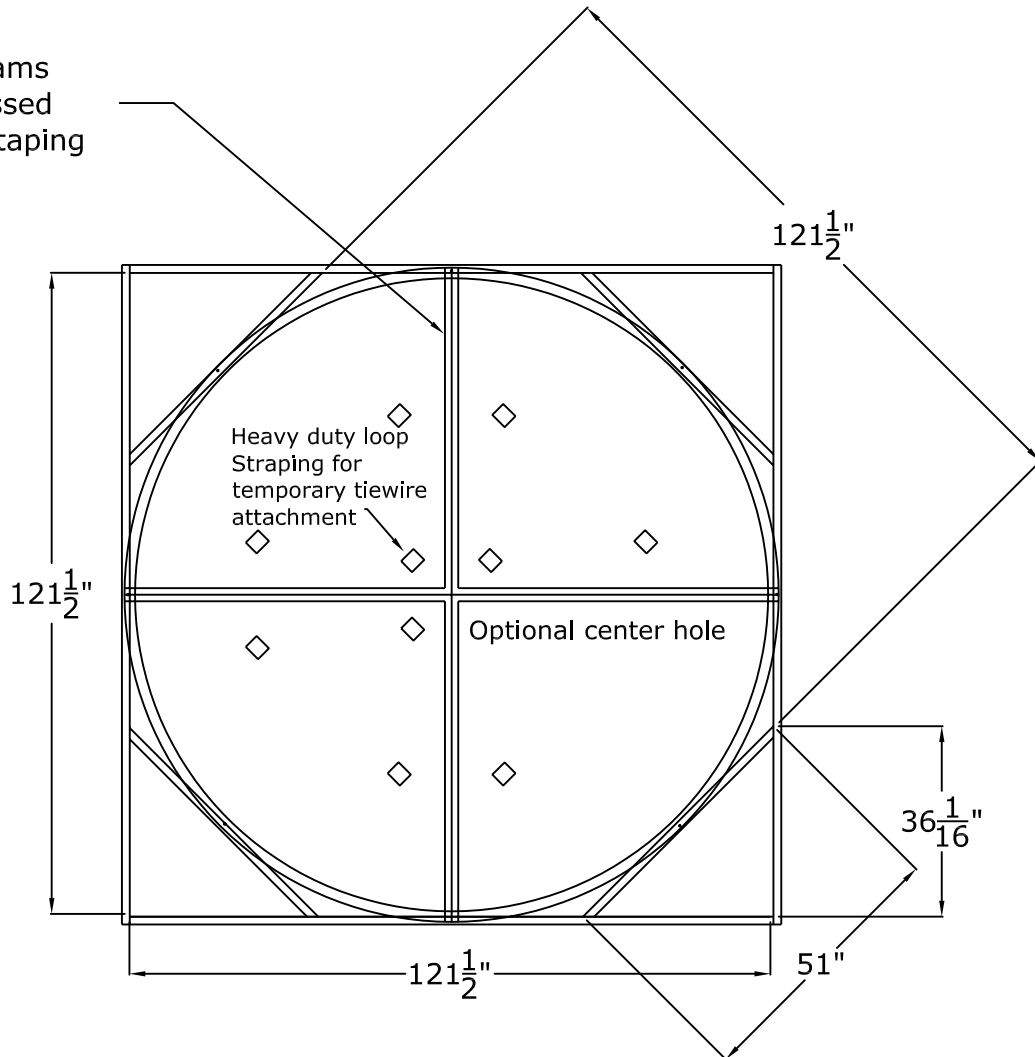
RWMTM
Round Window Mouldings Inc.

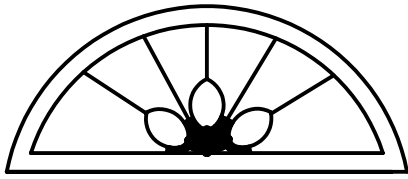
© Copyright 2005

Drill through both
bolt flanges for
permanent #9
tiewire
anchorments
(we recommend
a minimum of
two per flange)



Inner seams
are recessed
for perfataping





RWM
Round Window Mouldings Inc.

© Copyright 2008

RWM Inc.

155 North 500 West, Salt Lake City, Utah, 84116

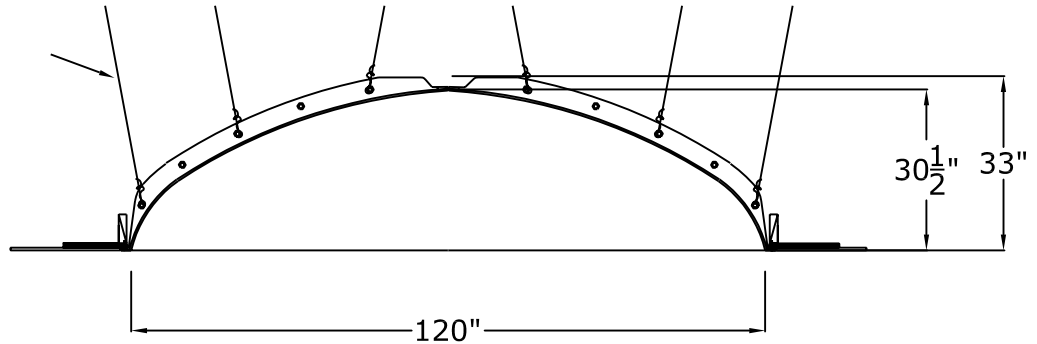
Phone: 801.595.8349 Toll Free 1.800.414.8349

Fax: 801.595.8147 E-mail: info@rwm-inc.com

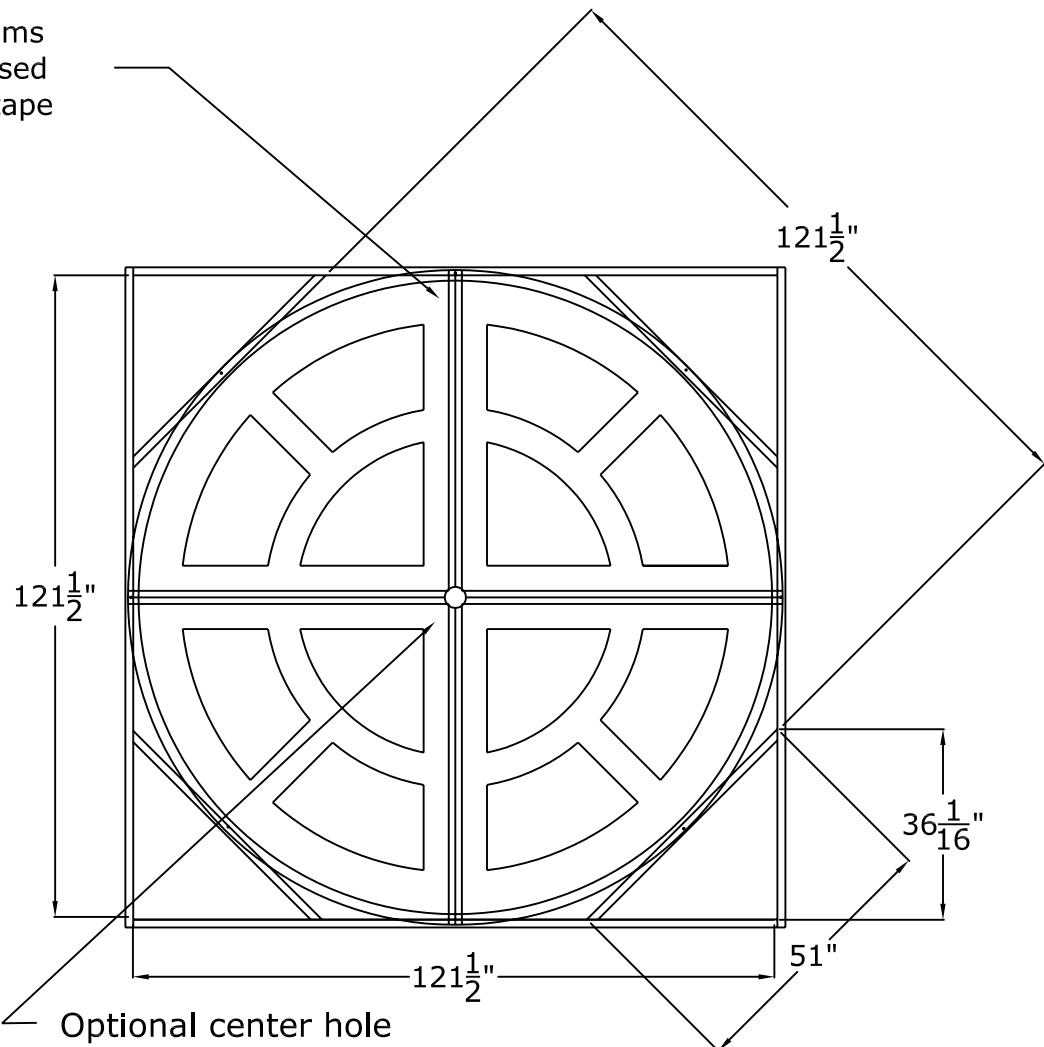
Visit our website at www.rwm-inc.com

10 Foot Coffered Round Recessed Dome: 4 Parts with a 33" Overall Rise (12 Panel)

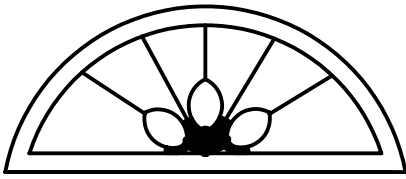
Drill through both bolt flanges for permanent #9 tiewire anchorments (we recommend a minimum of two per flange)



Inner seams are recessed for perfatape



Note: We also add heavy duty loop strapping to the back of the dome for temporary tiewire attachment.



RWM
Round Window Mouldings Inc.

© Copyright 2008

RWM Inc.

155 North 500 West, Salt Lake City, Utah, 84116

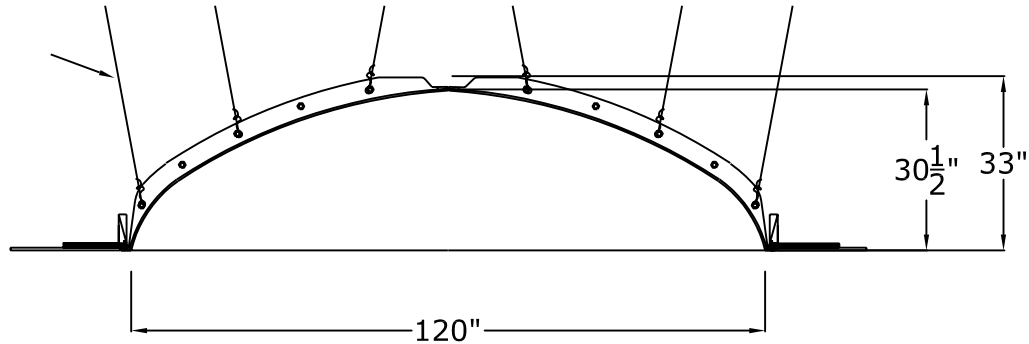
Phone: 801.595.8349 Toll Free 1.800.414.8349

Fax: 801.595.8147 E-mail: info@rwm-inc.com

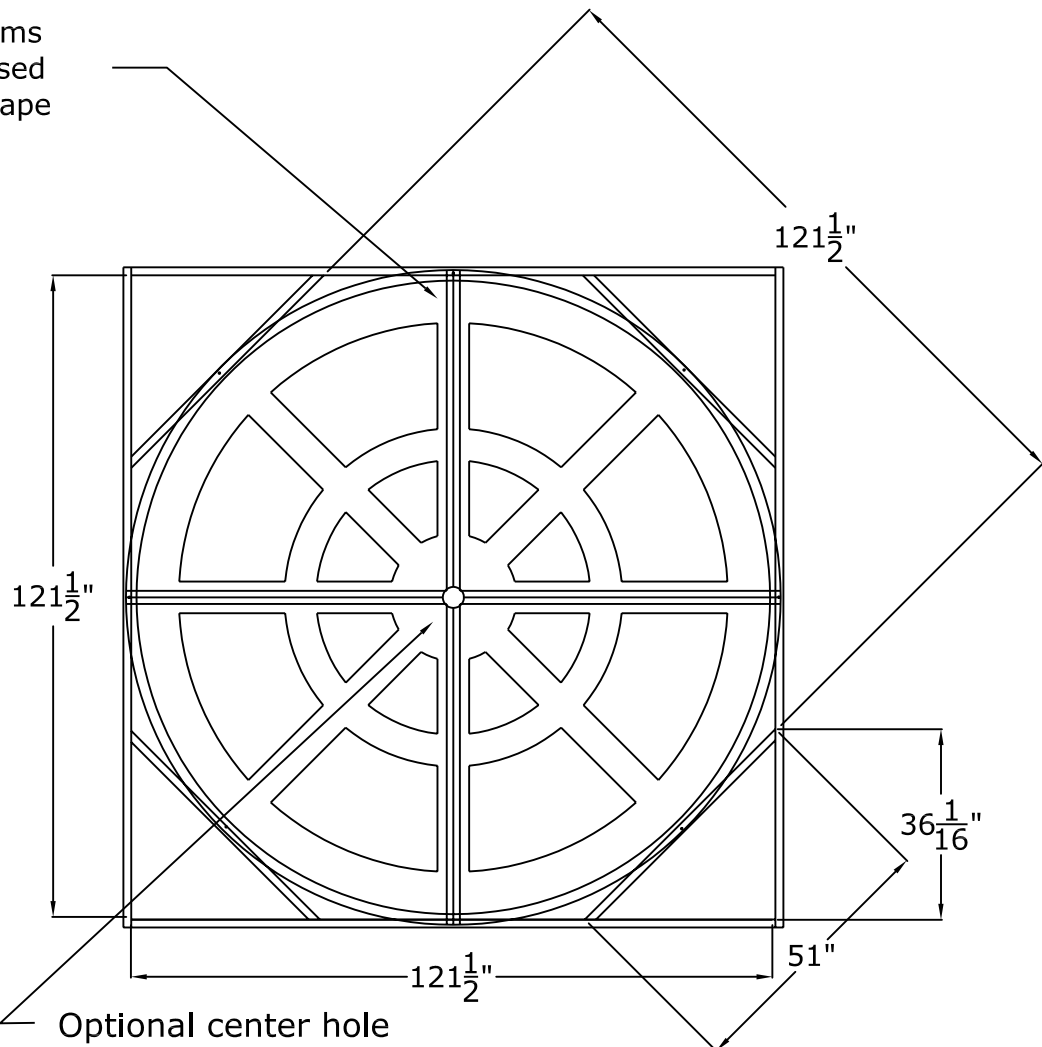
Visit our website at www.rwm-inc.com

10 Foot Coffered Round Recessed Dome: 4 Parts with a 33" Overall Rise (16 Panel)

Drill through both bolt flanges for permanent #9 tiewire anchorments (we recommend a minimum of two per flange)



Inner seams are recessed for perfatape



Note: We also add heavy duty loop strapping to the back of the dome for temporary tiewire attachment.

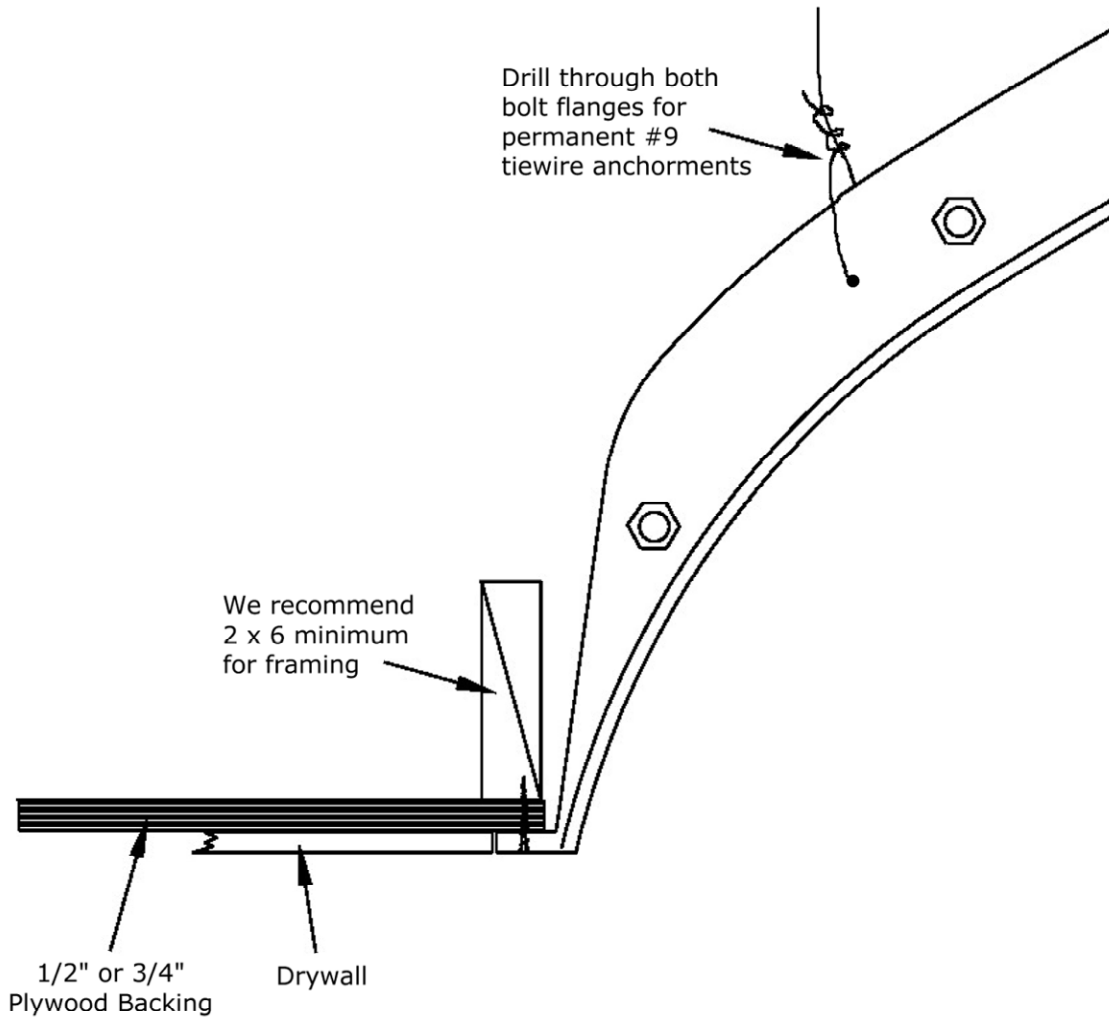


© Copyright 2005

Round Window Mouldings Inc.
155 North 500 West, Salt Lake City, Utah, 84116
Phone: 801.595.8349 Toll Free: 1.800.414.8349
Fax: 801.595.8147 E-mail: info@rwm-inc.com

Visit our Website at www.rwm-inc.com

Anchor Flange Detail: For Larger Domes

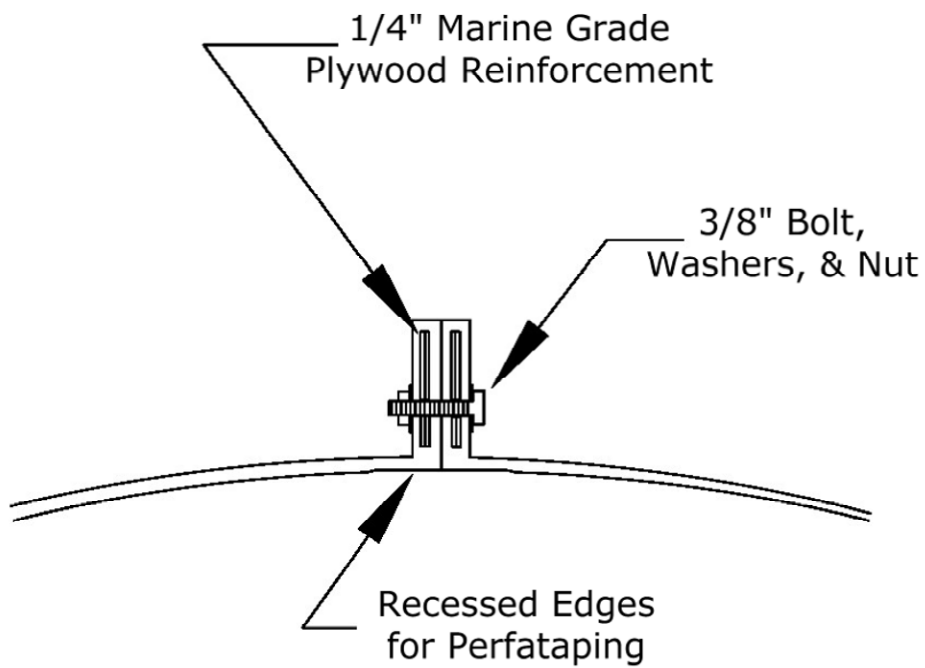




© Copyright 2005

Round Window Mouldings Inc.
155 North 500 West, Salt Lake City, Utah, 84116
Web: www.rwm-inc.com Toll Free: 1.800.414.8349

Dome Flange Detail: For Multi-Piece Domes





RWM Inc.

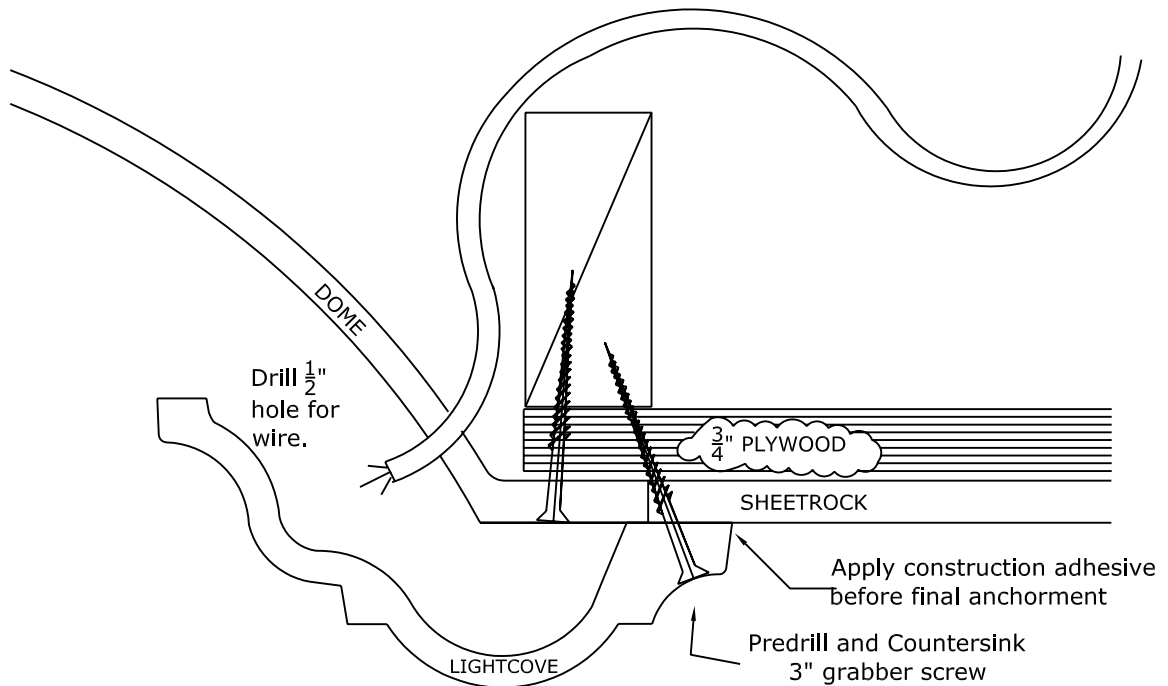
155 North 500 West, Salt Lake City, Utah, 84116

Phone: 801.595.8349 Toll Free 1.800.414.8349

Fax: 801.595.8147 E-mail: info@rwm-inc.com

Visit our website at www.rwm-inc.com

Standard Lightcove Detail: For Larger Round & Oval Domes



We recommend a minimum of one point of anchor every 16" on lightcove. (this is in addition to a minimum of one point of anchor every 16" for the dome bottom flange, and the recommended minimum of tiewire attachments for the dome. Check the spec sheet for your dome.)

