

RWMTM
Round Window Mouldings Inc.

© Copyright 2005

Round Window Mouldings Inc.

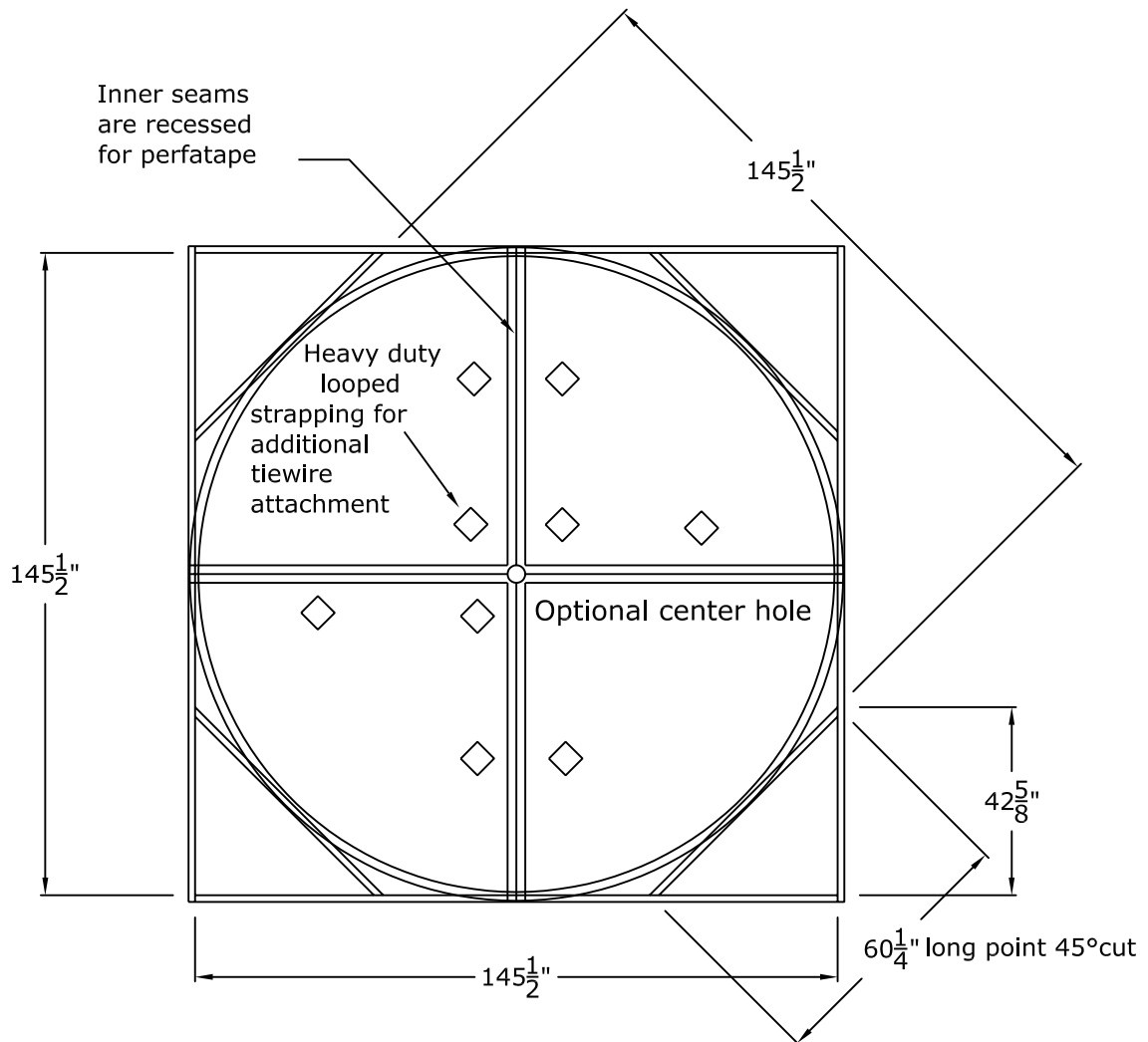
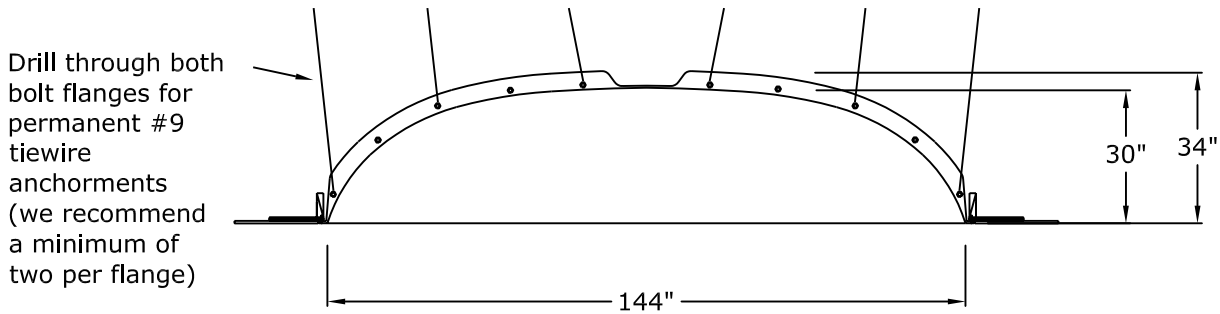
155 North 500 West, Salt Lake City, Utah, 84116

Phone: 801.595.8349 Toll Free 1.800.414.8349

Fax: 801.595.8147 E-mail: info@rwm-inc.com

Visit our website at www.rwm-inc.com

12 Foot Round Recessed Dome: 4 Parts with a 34" Overall Rise





© Copyright 2010

RWM Inc.

155 North 500 West, Salt Lake City, Utah, 84116

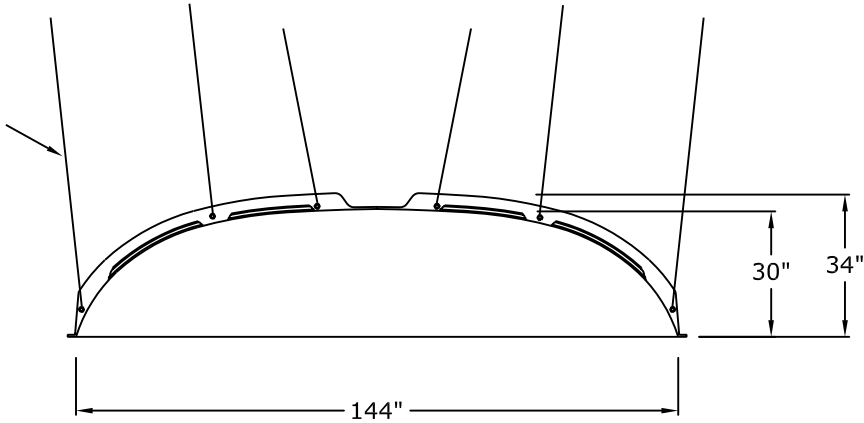
Phone: 801.595.8349 Toll Free 1.800.414.8349

Fax: 801.595.8147 E-mail: info@rwm-inc.com

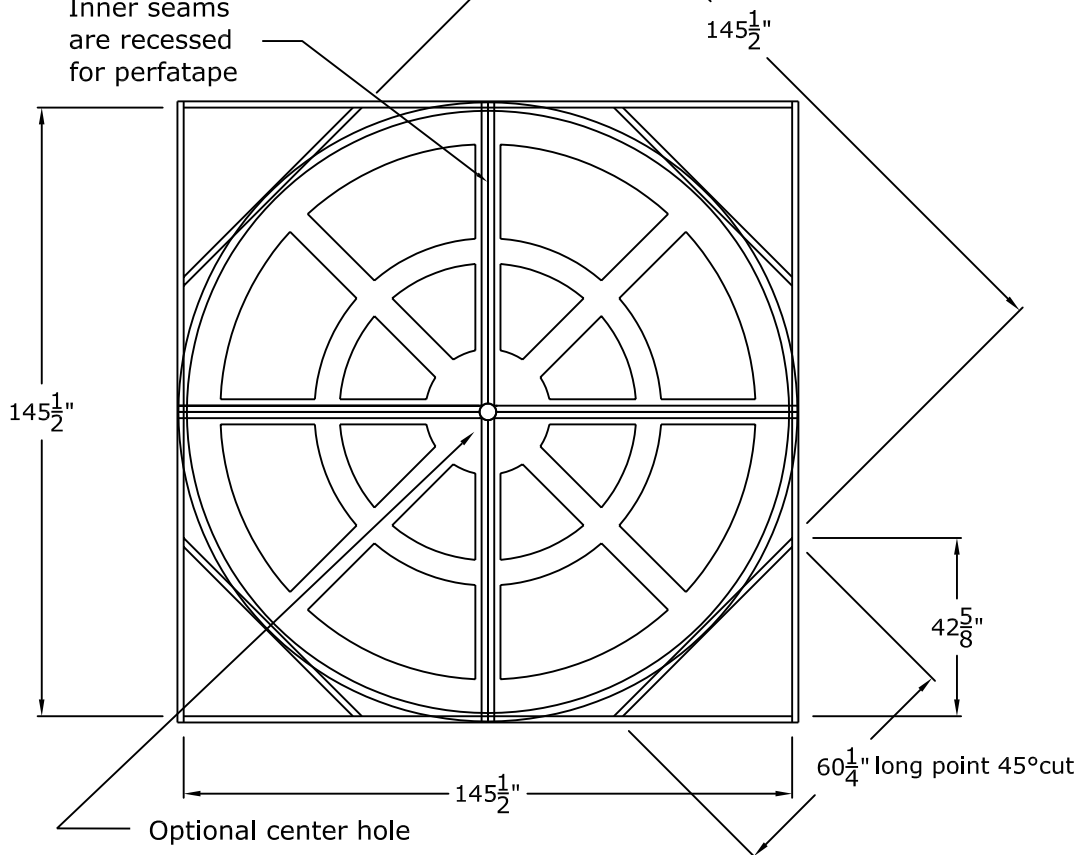
Visit our website at www.rwm-inc.com

12 Foot Coffered Round Recessed Dome: 4 Part with 34" Overall Rise

Drill through both bolt flanges for permanent #9 tiewire anchorments (we recommend a minimum of two per flange)



Inner seams are recessed for perfatape



Note: We also add heavy duty loop strapping to the back of the dome for temporary tiewire attachment.

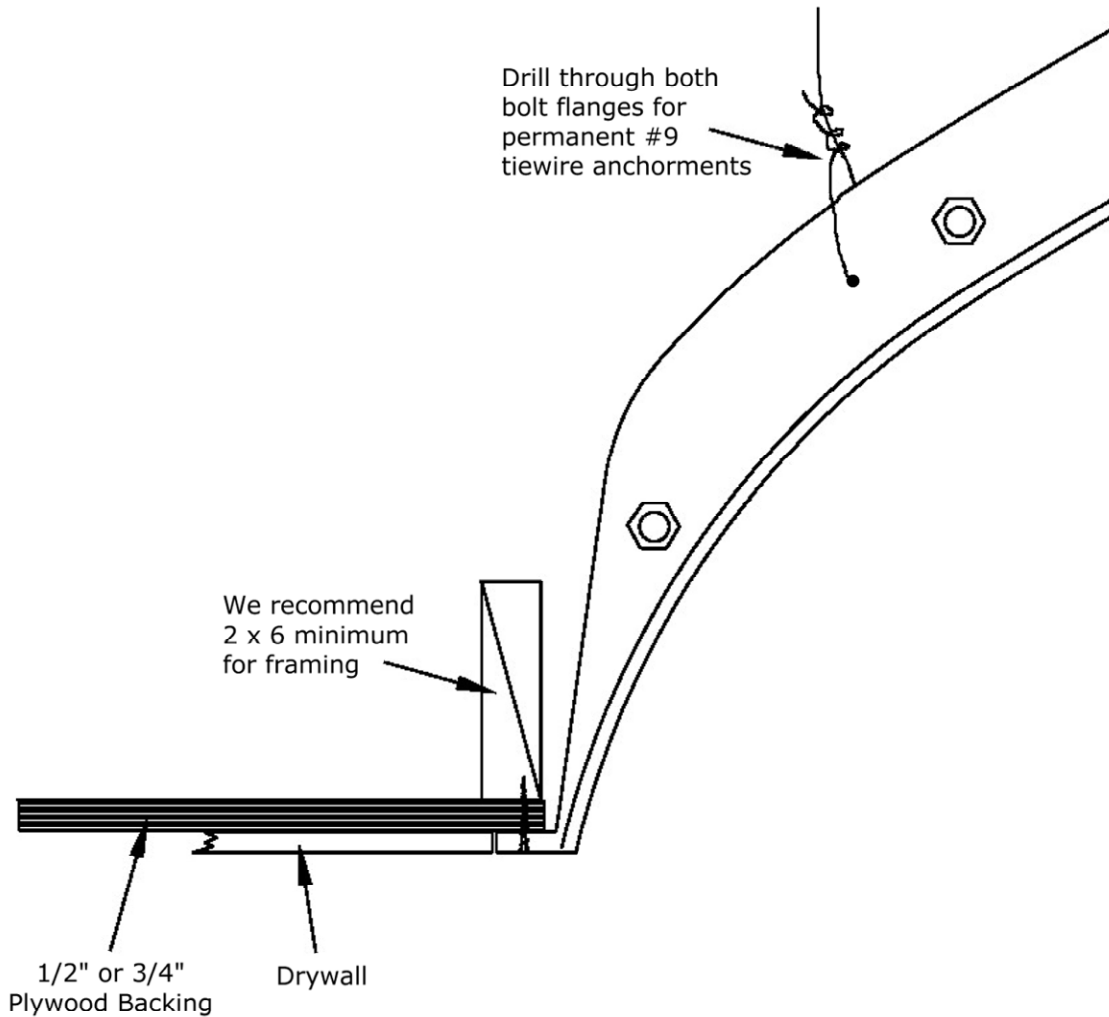


© Copyright 2005

Round Window Mouldings Inc.
155 North 500 West, Salt Lake City, Utah, 84116
Phone: 801.595.8349 Toll Free: 1.800.414.8349
Fax: 801.595.8147 E-mail: info@rwm-inc.com

Visit our Website at www.rwm-inc.com

Anchor Flange Detail: For Larger Domes



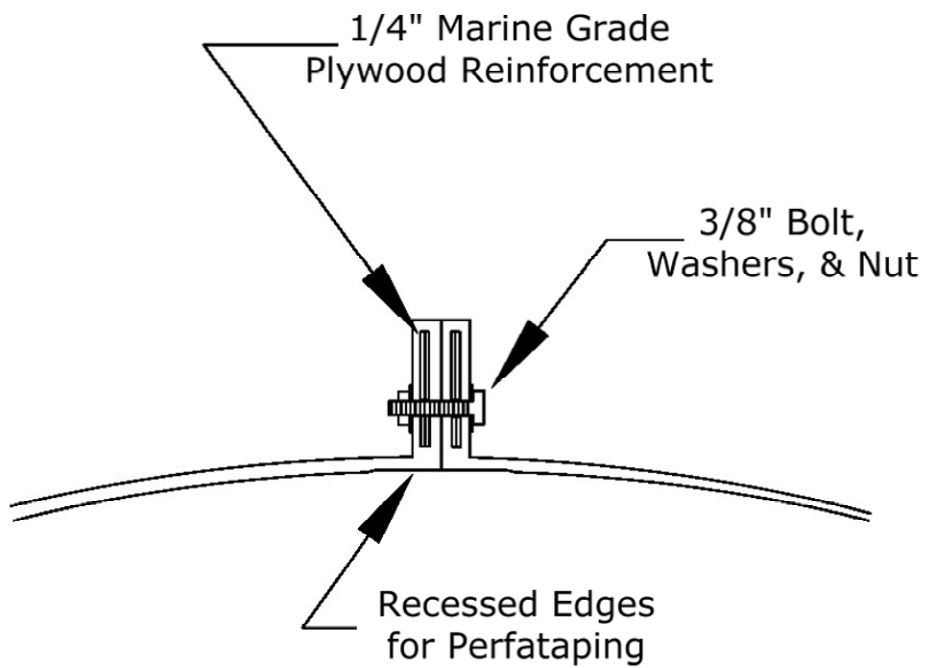


© Copyright 2005

Round Window Mouldings Inc.

155 North 500 West, Salt Lake City, Utah, 84116
Web: www.rwm-inc.com Toll Free: 1.800.414.8349

**Dome Flange Detail:
For Multi-Piece Domes**





© Copyright 2008

RWM Inc.

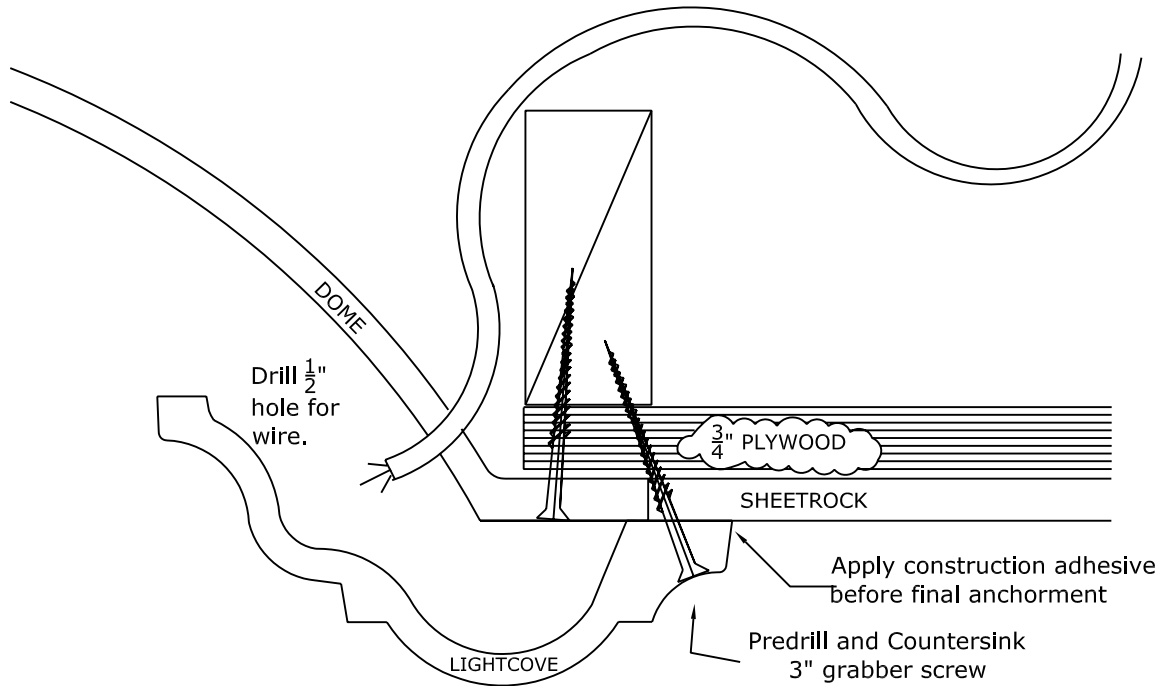
155 North 500 West, Salt Lake City, Utah, 84116

Phone: 801.595.8349 Toll Free 1.800.414.8349

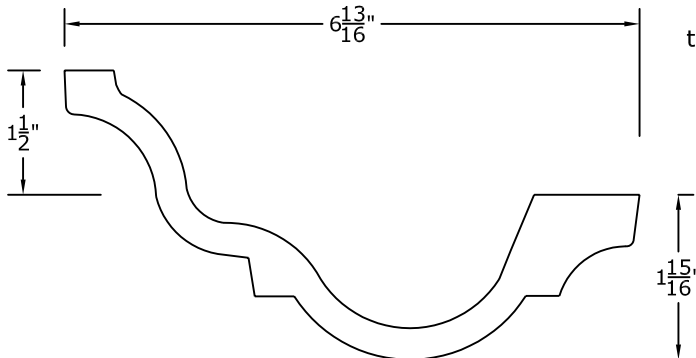
Fax: 801.595.8147 E-mail: info@rwm-inc.com

Visit our website at www.rwm-inc.com

Standard Lightcove Detail: For Larger Round & Oval Domes



We recommend a minimum of one point of anchor every 16" on lightcove. (this is in addition to a minimum of one point of anchor every 16" for the dome bottom flange, and the recommended minimum of tiewire attachments for the dome. Check the spec sheet for your dome.)





© Copyright 2011

RWM Inc.

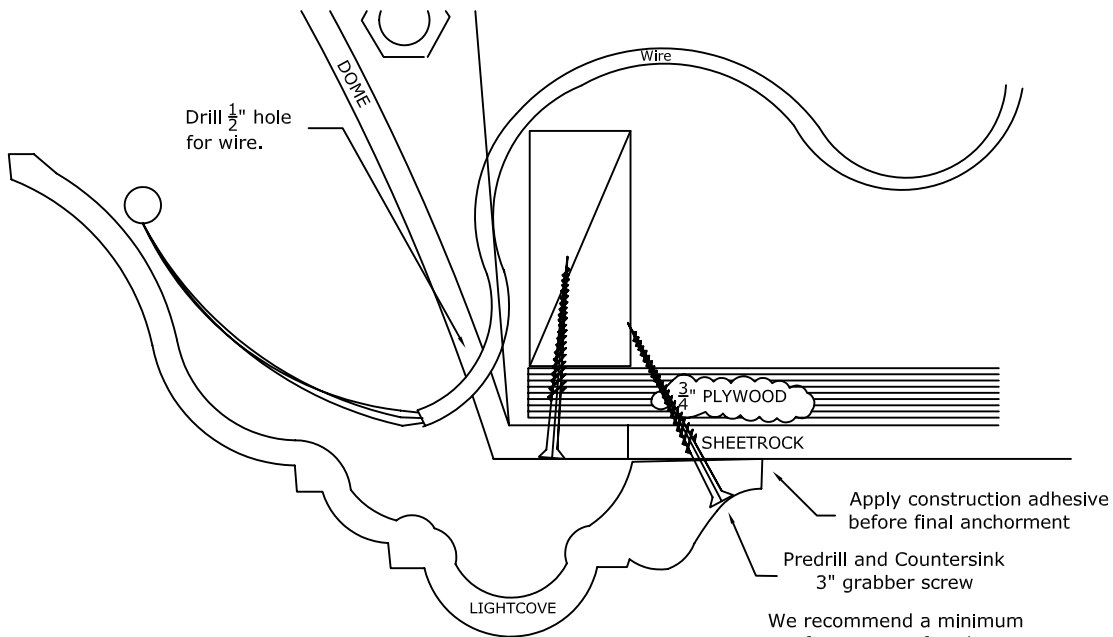
155 North 500 West, Salt Lake City, Utah, 84116

Phone: 801.595.8349 Toll Free 1.800.414.8349

Fax: 801.595.8147 E-mail: info@rwm-inc.com

Visit our website at www.rwm-inc.com

Larger Smooth Lightcover for Larger Domes



We recommend a minimum of one point of anchor every 16" on lightcover. (this is in addition to a minimum of one point of anchor every 16" for the dome bottom flange, and the recommended minimum of tie wire attachments for the dome. Check the spec sheet for your dome.)

