



© Copyright 2011

# RWM Inc.

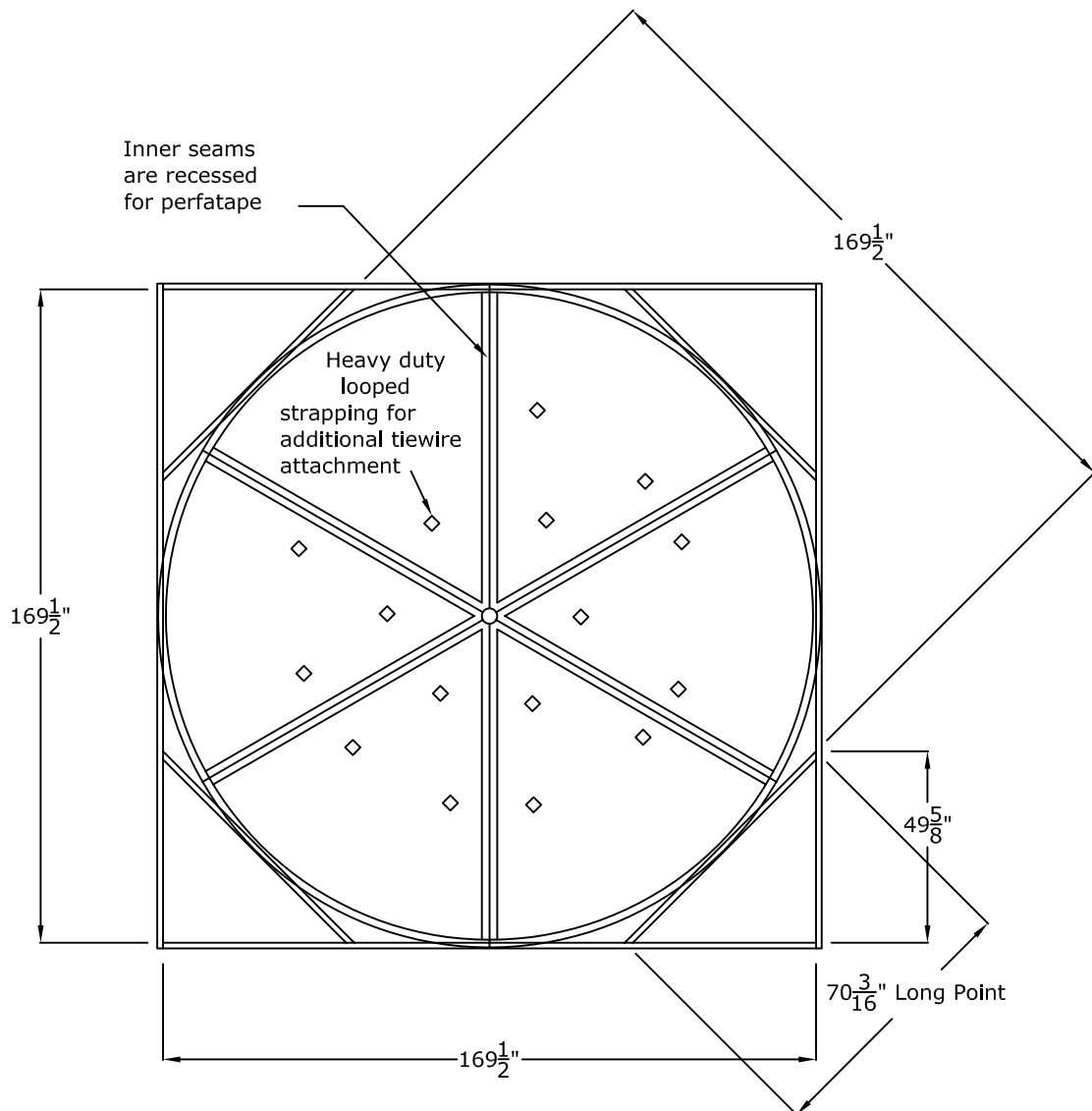
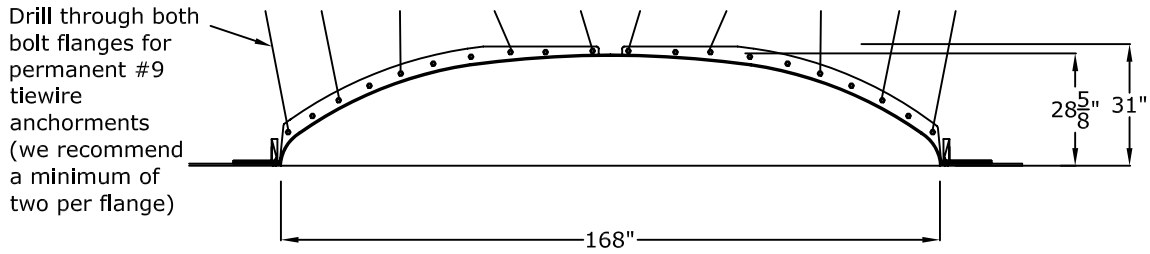
155 North 500 West, Salt Lake City, Utah, 84116

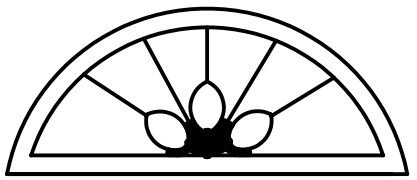
Phone: 801.595.8349 Toll Free 1.800.414.8349

Fax: 801.595.8147 E-mail: info@rwm-inc.com

Visit our website at [www.rwm-inc.com](http://www.rwm-inc.com)

## 14 Foot Round Recessed Dome: 6 Parts with a 31" Overall Rise





**RWM**  
Round Window Mouldings Inc.®

© Copyright 2011

## RWM Inc.

155 North 500 West, Salt Lake City, Utah, 84116

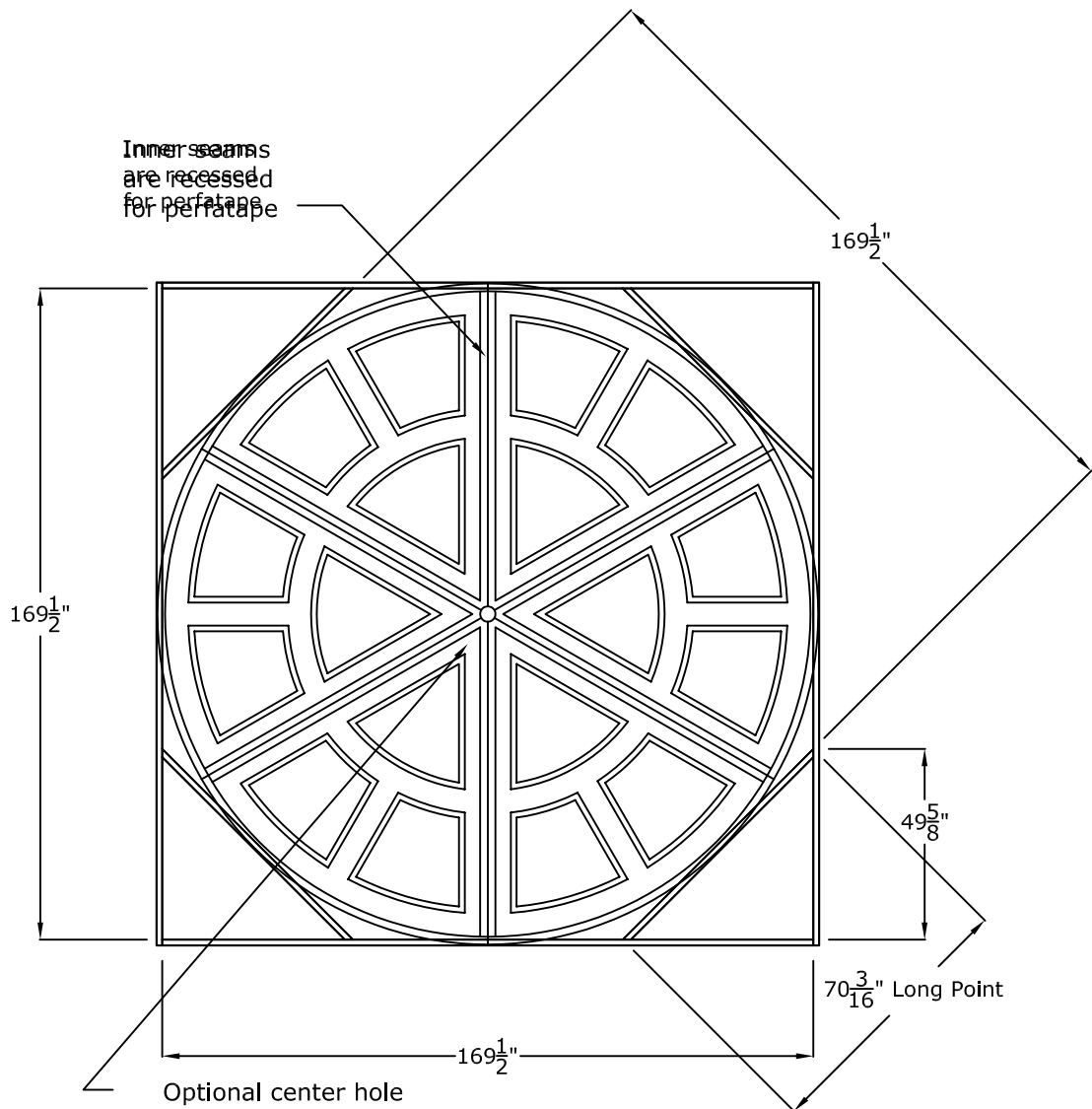
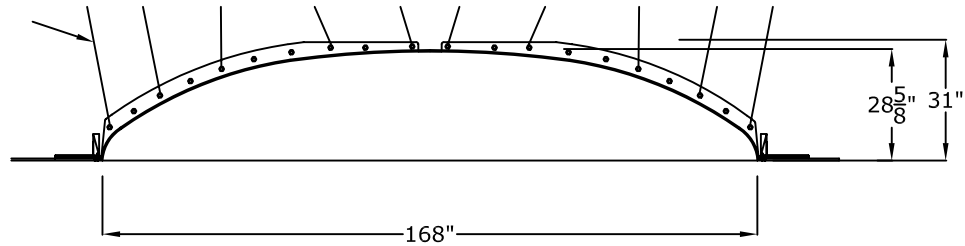
Phone: 801.595.8349 Toll Free 1.800.414.8349

Fax: 801.595.8147 E-mail: info@rwm-inc.com

Visit our website at [www.rwm-inc.com](http://www.rwm-inc.com)

### 14 Foot Coffered Round Recessed Dome: 6 Parts with a 31" Overall Rise

Drill through both  
bolt flanges for  
permanent #9  
tiewire  
anchormts  
(we recommend  
a minimum of  
two per flange)



Note: We also add heavy duty loop strapping to the back of the dome for temporary tiewire attachment.

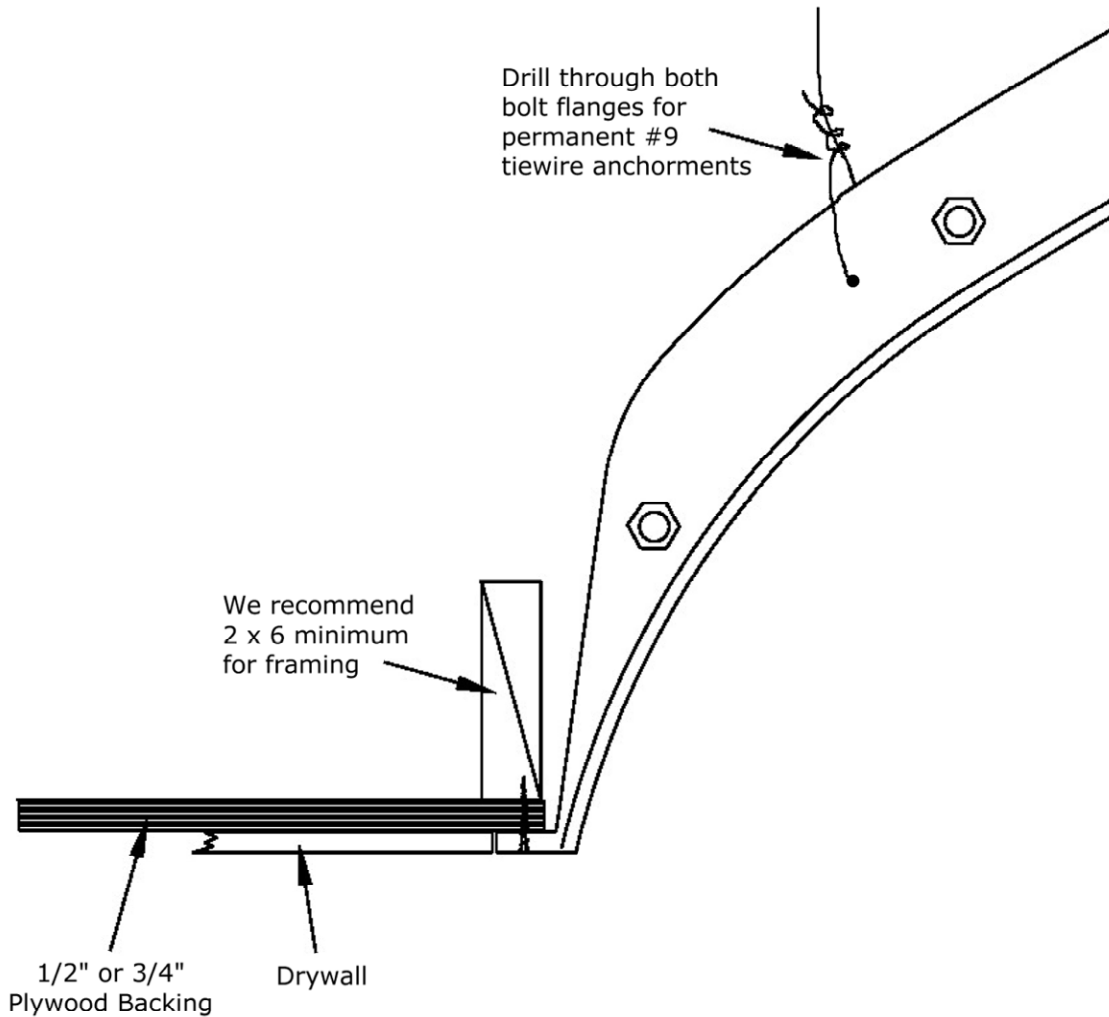


© Copyright 2005

**Round Window Mouldings Inc.**  
155 North 500 West, Salt Lake City, Utah, 84116  
Phone: 801.595.8349 Toll Free: 1.800.414.8349  
Fax: 801.595.8147 E-mail: info@rwm-inc.com

**Visit our Website at [www.rwm-inc.com](http://www.rwm-inc.com)**

### **Anchor Flange Detail: For Larger Domes**

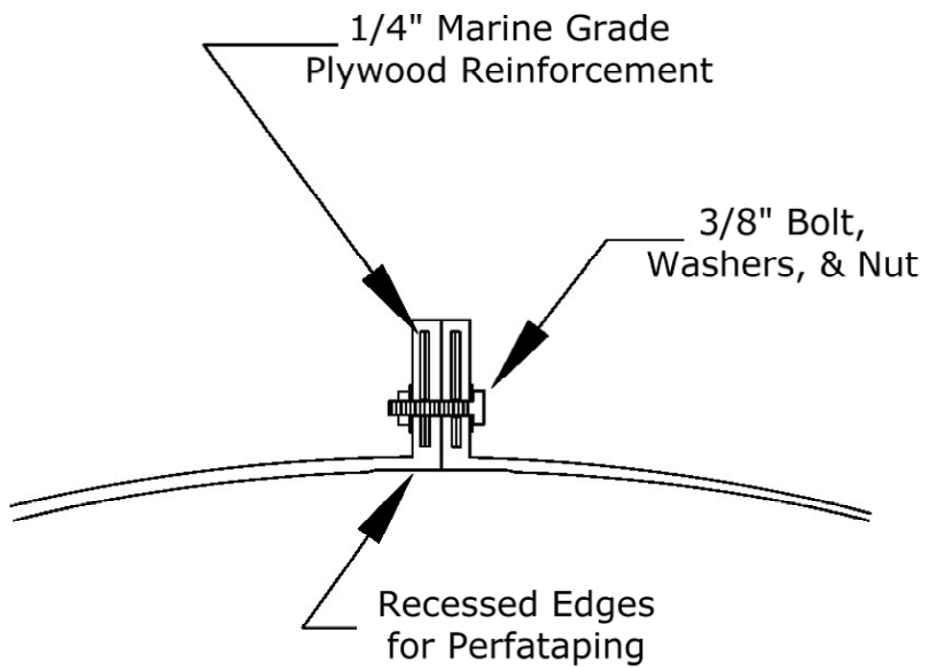




© Copyright 2005

**Round Window Mouldings Inc.**  
155 North 500 West, Salt Lake City, Utah, 84116  
Web: [www.rwm-inc.com](http://www.rwm-inc.com) Toll Free: 1.800.414.8349

**Dome Flange Detail:  
For Multi-Piece Domes**





© Copyright 2008

# RWM Inc.

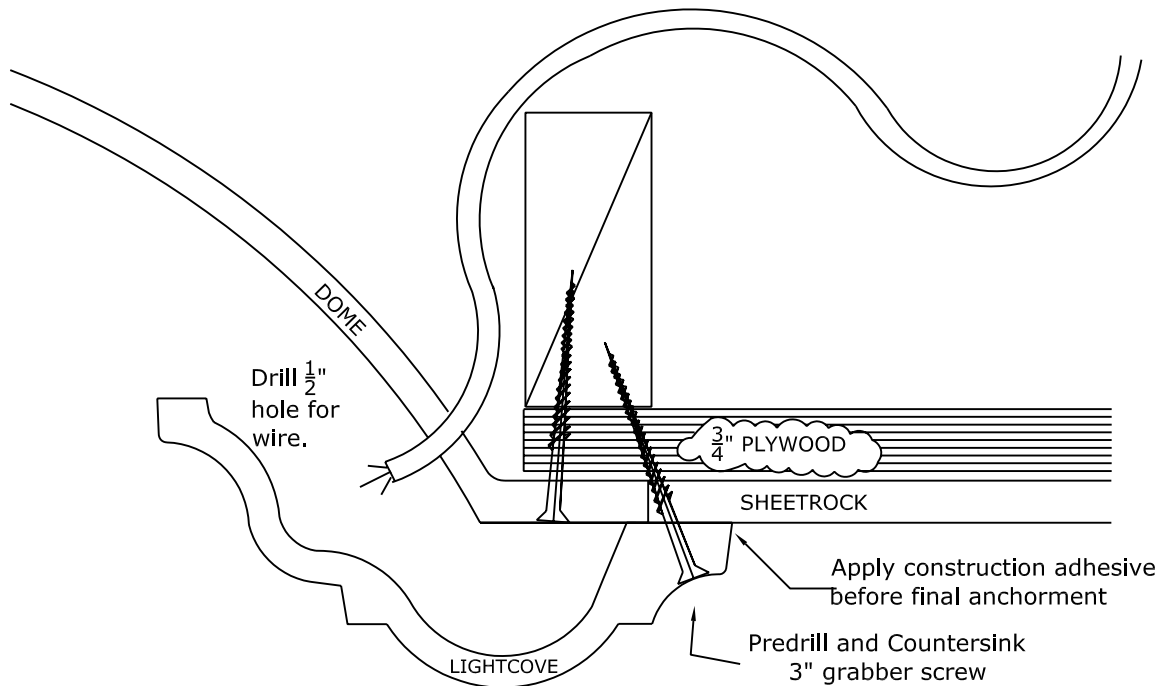
155 North 500 West, Salt Lake City, Utah, 84116

Phone: 801.595.8349 Toll Free 1.800.414.8349

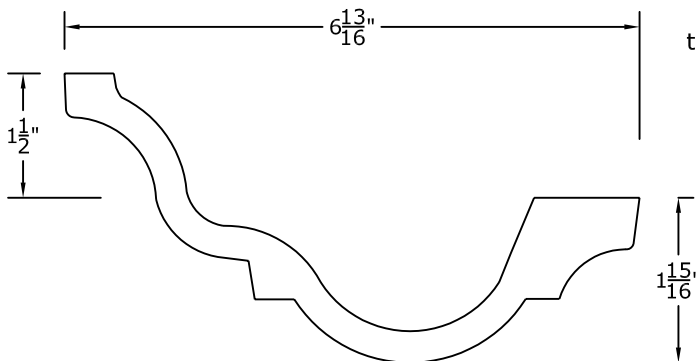
Fax: 801.595.8147 E-mail: info@rwm-inc.com

Visit our website at [www.rwm-inc.com](http://www.rwm-inc.com)

## Standard Lightcove Detail: For Larger Round & Oval Domes



We recommend a minimum of one point of anchor every 16" on lightcove. (this is in addition to a minimum of one point of anchor every 16" for the dome bottom flange, and the recommended minimum of tiewire attachments for the dome. Check the spec sheet for your dome.)





© Copyright 2011

## RWM Inc.

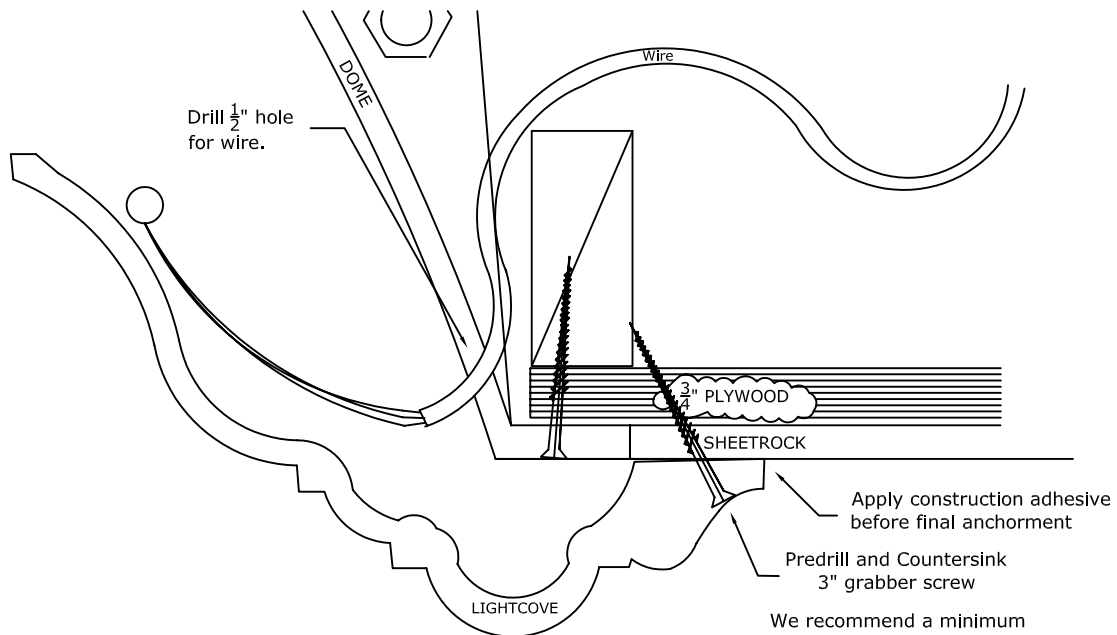
155 North 500 West, Salt Lake City, Utah, 84116

Phone: 801.595.8349 Toll Free 1.800.414.8349

Fax: 801.595.8147 E-mail: info@rwm-inc.com

Visit our website at [www.rwm-inc.com](http://www.rwm-inc.com)

## Larger Smooth Lightcover for Larger Domes



We recommend a minimum of one point of anchor every 16" on lightcover. (this is in addition to a minimum of one point of anchor every 16" for the dome bottom flange, and the recommended minimum of tie wire attachments for the dome. Check the spec sheet for your dome.)

