

**RWM**<sup>TM</sup>

Round Window Mouldings Inc.

© Copyright 2005

# Round Window Mouldings Inc.

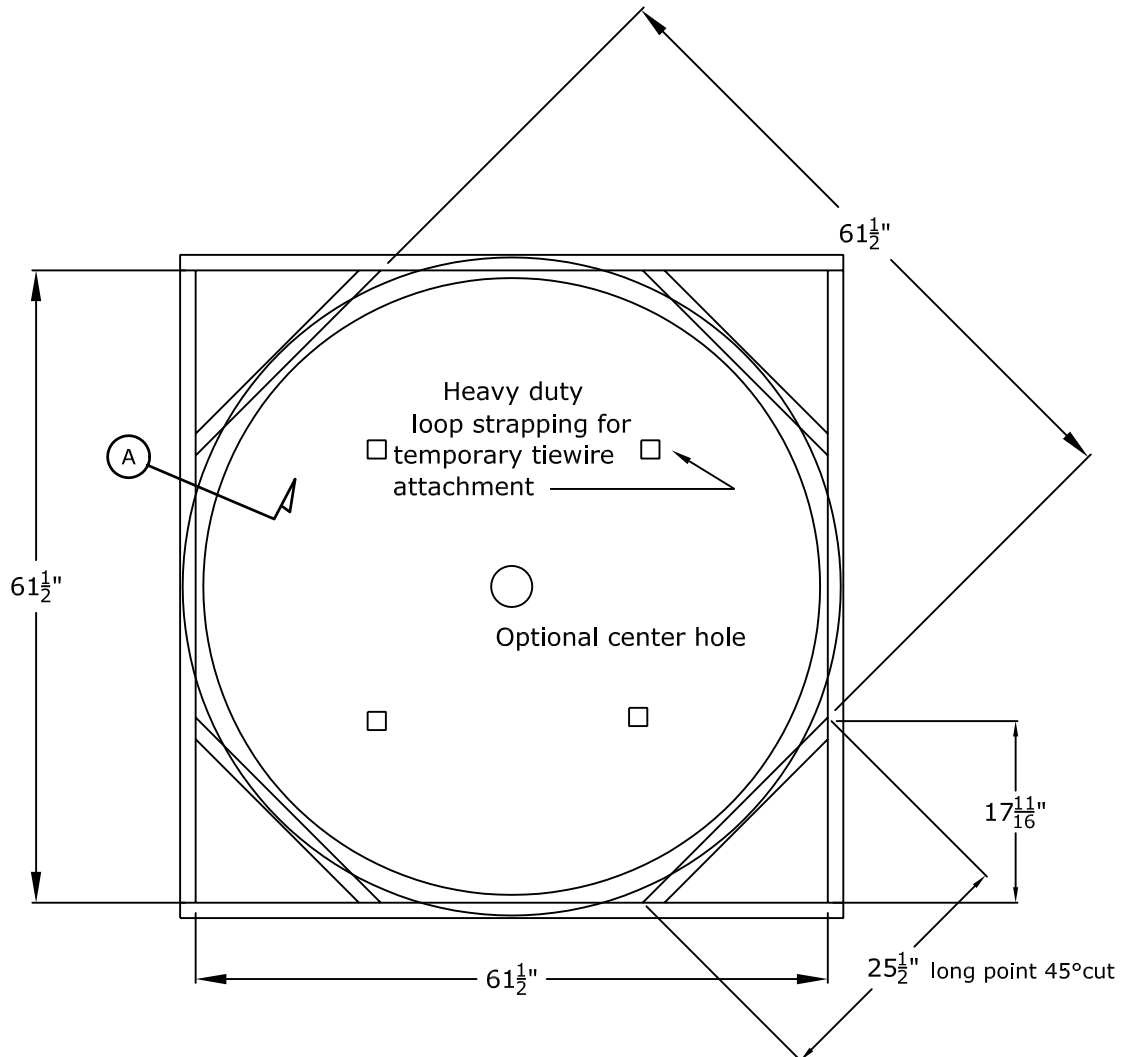
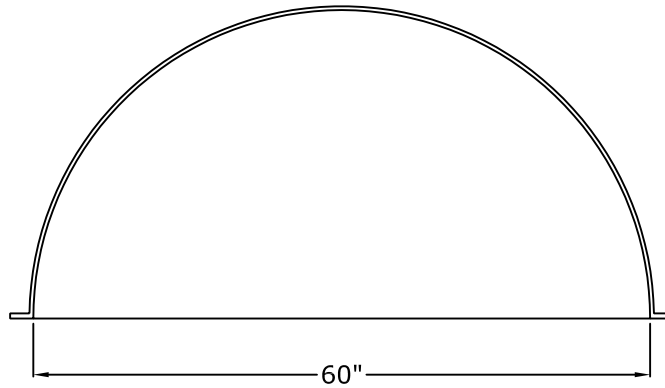
155 North 500 West, Salt Lake City, Utah, 84116

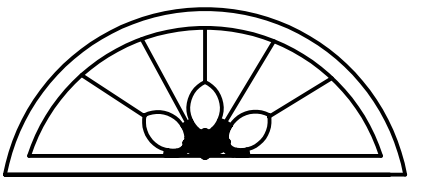
Phone: 801.595.8349 Toll Free 1.800.414.8349

Fax: 801.595.8147 E-mail: info@rwm-inc.com

Visit our website at [www.rwm-inc.com](http://www.rwm-inc.com)

## 5' Round Recessed Dome: 1 Part with a 30 $\frac{1}{2}$ " Overall Rise





**RWM**<sup>TM</sup>  
Round Window Mouldings Inc.

© Copyright 2005

# Round Window Mouldings Inc.

155 North 500 West, Salt Lake City, Utah, 84116

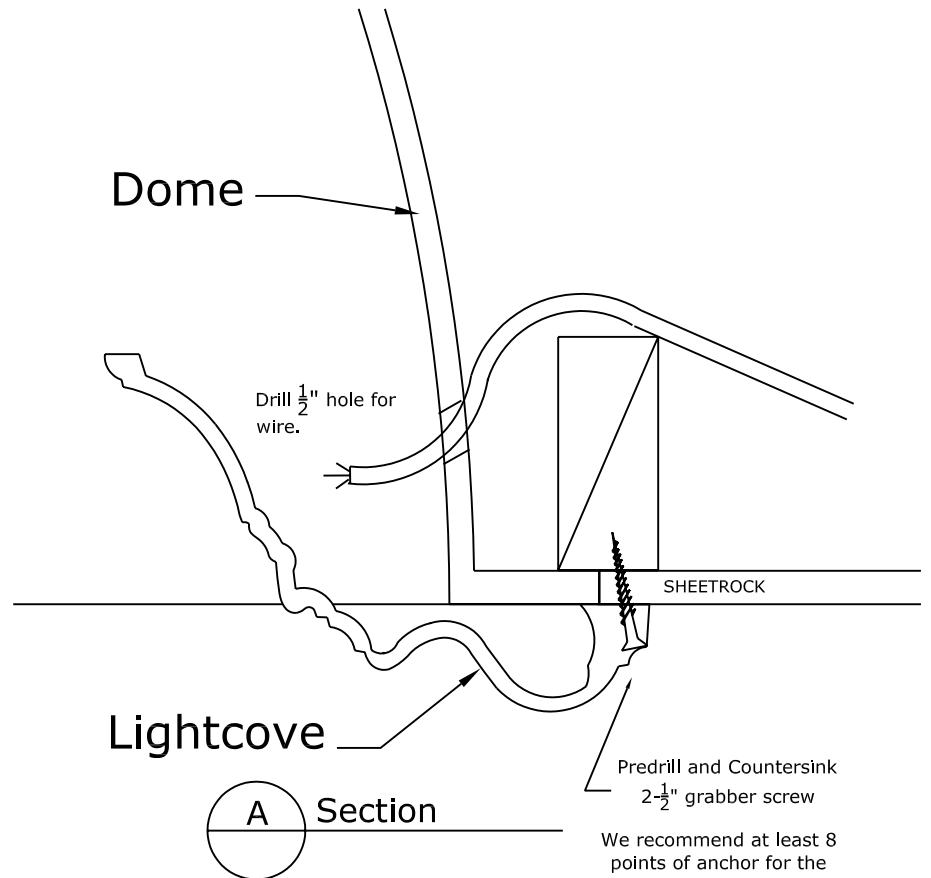
Phone: 801.595.8349 Toll Free 1.800.414.8349

Fax: 801.595.8147 E-mail: info@rwm-inc.com

Visit our website at [www.rwm-inc.com](http://www.rwm-inc.com)

## Lightcove Detail:

### For 60" Dome with a 30 $\frac{1}{2}$ " Overall Rise



We recommend at least 8 points of anchor for the light cove (in addition to at least 8 points of anchor for the dome). Larger domes may have special framing suggestions.

