

**RWM**  
Round Window Mouldings Inc.

© Copyright 2010

# RWM Inc.

155 North 500 West, Salt Lake City, Utah, 84116

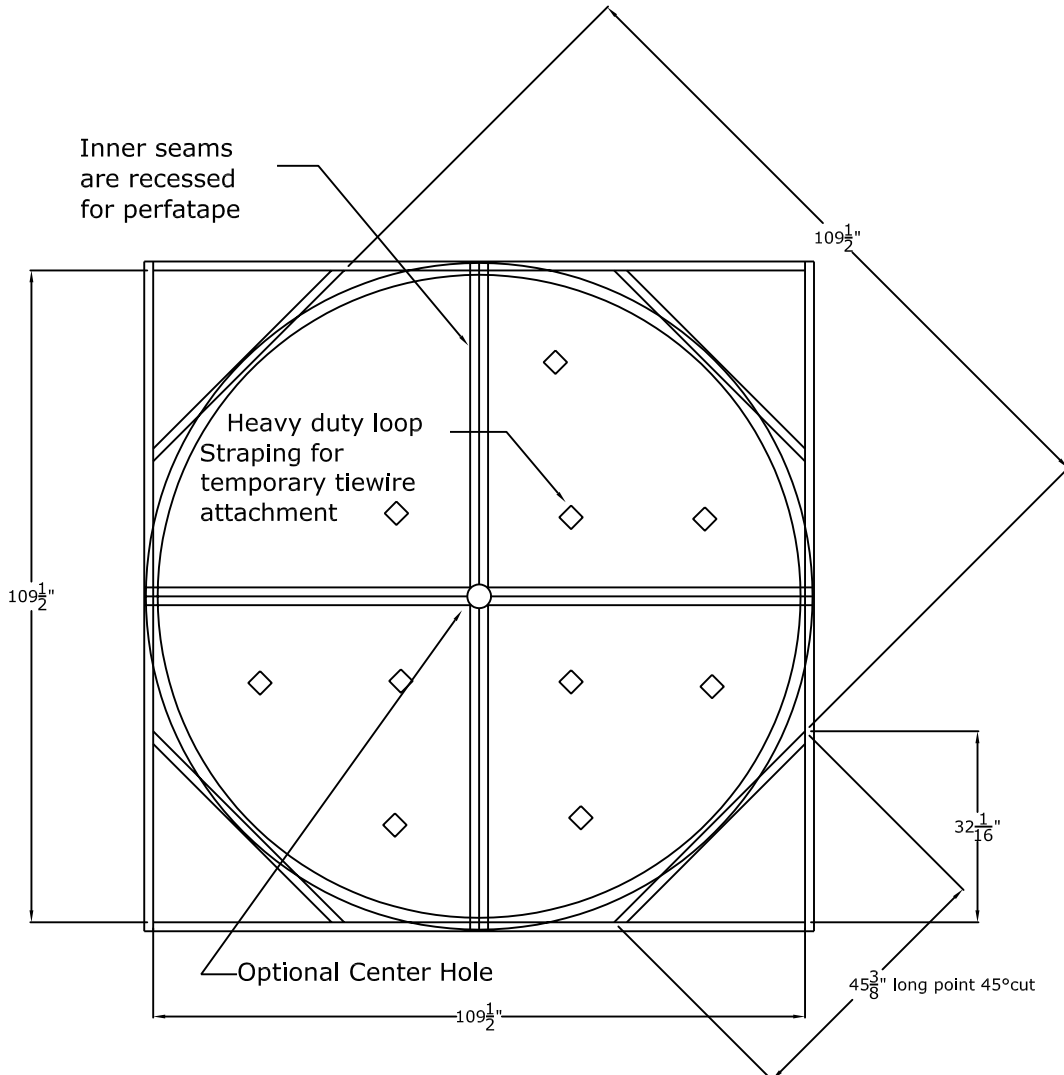
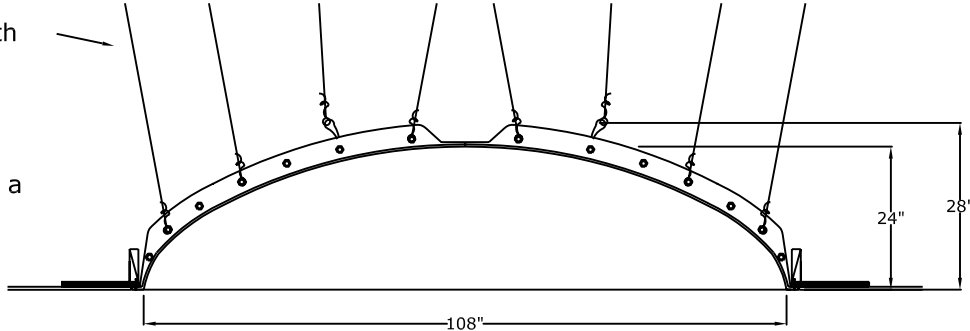
Phone: 801.595.8349 Toll Free 1.800.414.8349

Fax: 801.595.8147 E-mail: info@rwm-inc.com

Visit our website at [www.rwm-inc.com](http://www.rwm-inc.com)

## 9 Foot Round Recessed Dome: 4 Parts with a 28" Overall Rise

Drill through both bolt flanges for permanent #9 tiewire anchorments (we recommend a minimum of two per flange)





© Copyright 2005

## Round Window Mouldings Inc.

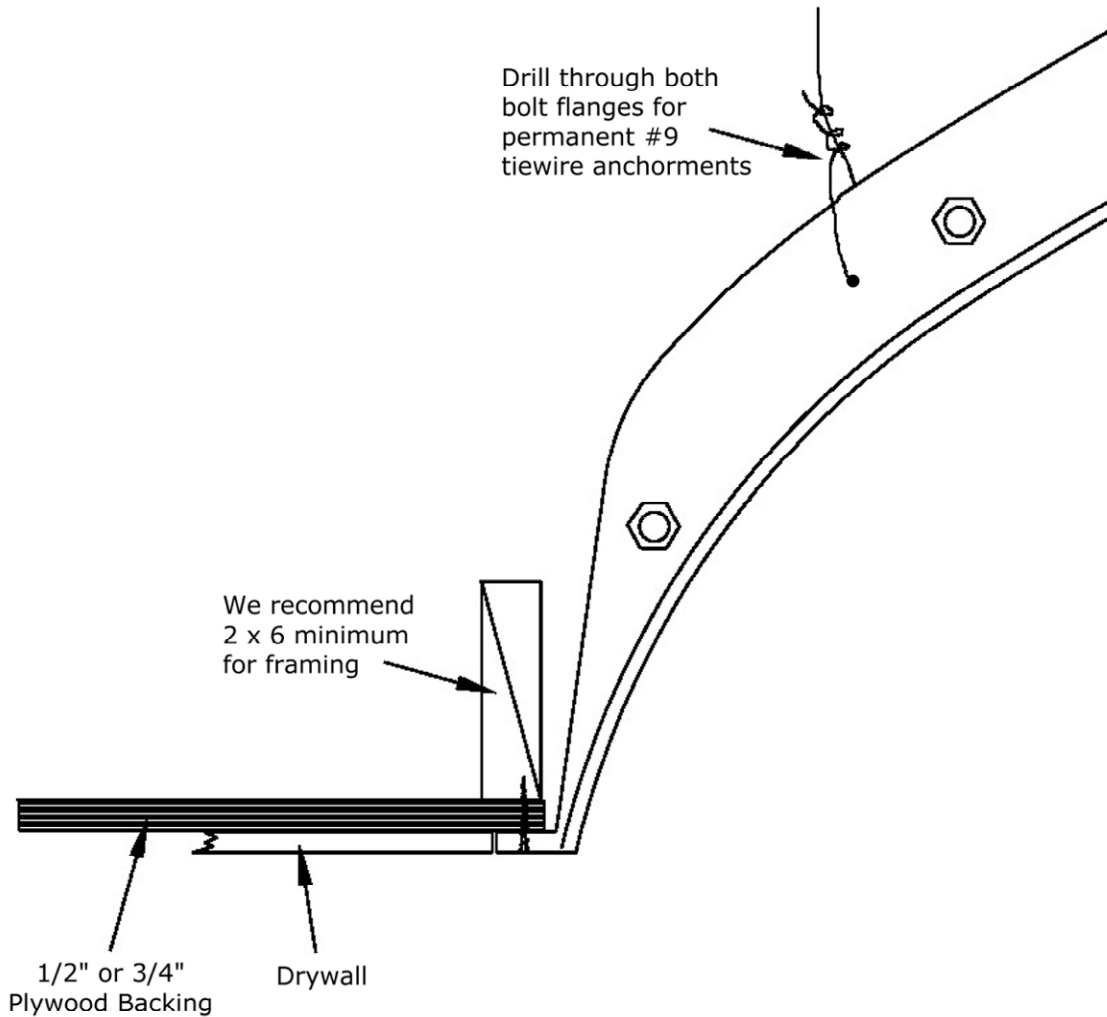
155 North 500 West, Salt Lake City, Utah, 84116

Phone: 801.595.8349 Toll Free: 1.800.414.8349

Fax: 801.595.8147 E-mail: info@rwm-inc.com

Visit our Website at [www.rwm-inc.com](http://www.rwm-inc.com)

### Anchor Flange Detail: For Larger Domes

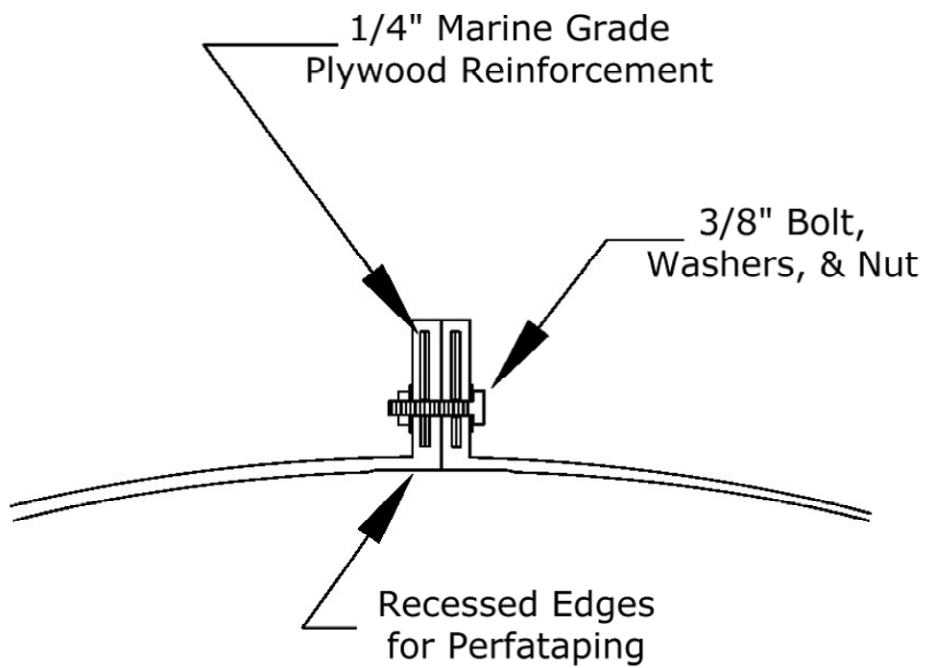




© Copyright 2005

**Round Window Mouldings Inc.**  
155 North 500 West, Salt Lake City, Utah, 84116  
Web: [www.rwm-inc.com](http://www.rwm-inc.com) Toll Free: 1.800.414.8349

### **Dome Flange Detail: For Multi-Piece Domes**





© Copyright 2008

# RWM Inc.

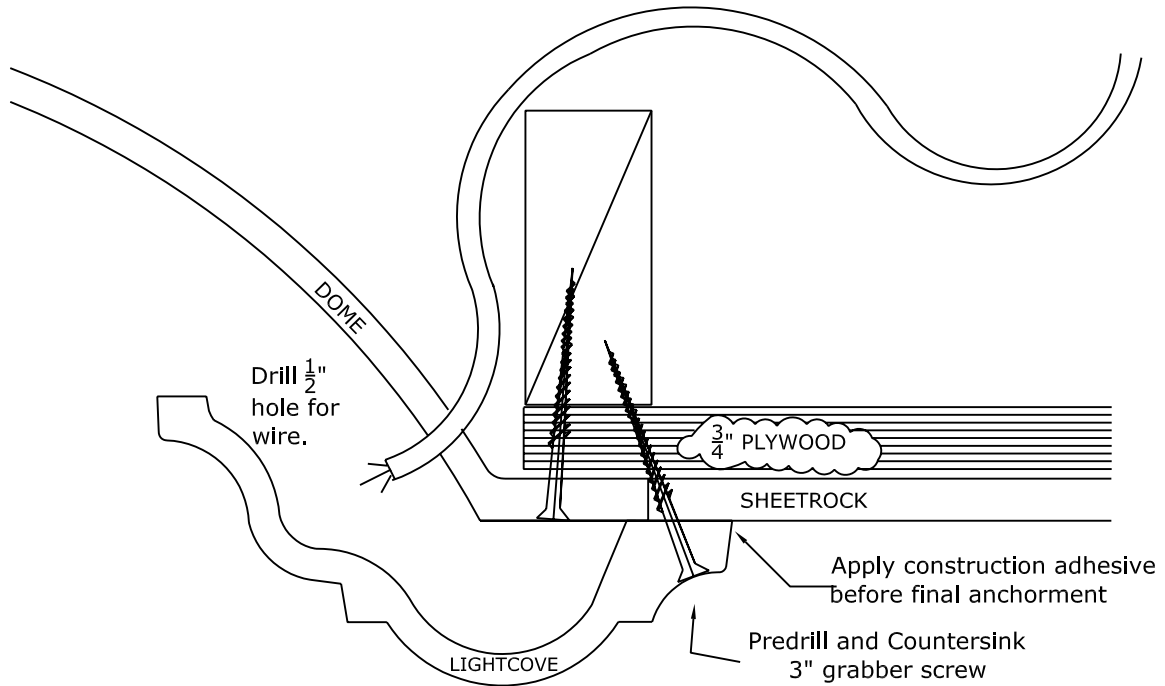
155 North 500 West, Salt Lake City, Utah, 84116

Phone: 801.595.8349 Toll Free 1.800.414.8349

Fax: 801.595.8147 E-mail: info@rwm-inc.com

Visit our website at [www.rwm-inc.com](http://www.rwm-inc.com)

## Standard Lightcove Detail: For Larger Round & Oval Domes



We recommend a minimum of one point of anchor every 16" on lightcove. (this is in addition to a minimum of one point of anchor every 16" for the dome bottom flange, and the recommended minimum of tiewire attachments for the dome. Check the spec sheet for your dome.)

