

**RWM**  
Round Window Mouldings Inc.®

© Copyright 2009

## RWM Inc.

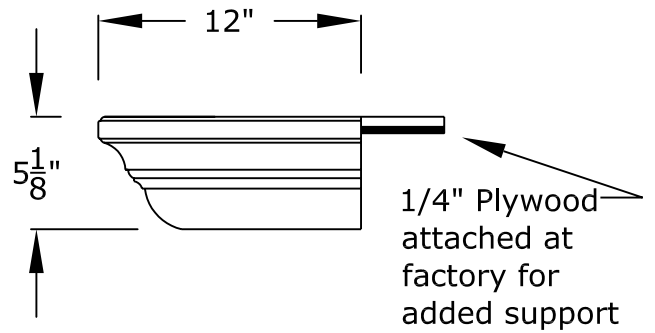
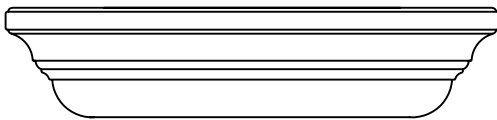
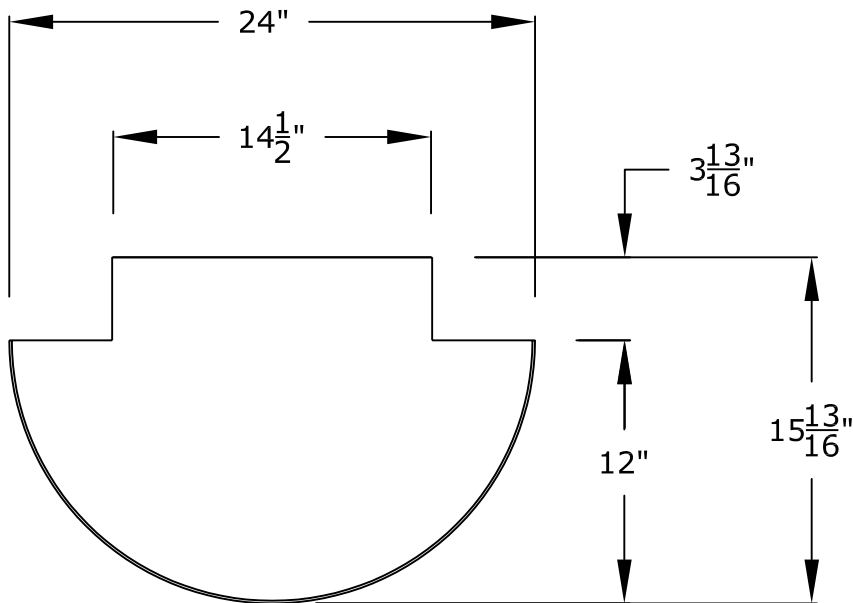
155 North 500 West, Salt Lake City, Utah, 84116

Phone: 801.595.8349 Toll Free 1.800.414.8349

Fax: 801.595.8147 E-mail: info@rwm-inc.com

Visit our website at [www.rwm-inc.com](http://www.rwm-inc.com)

## Full Radius Seat For Standard Wall Niche





© Copyright 2010

## RWM Inc.

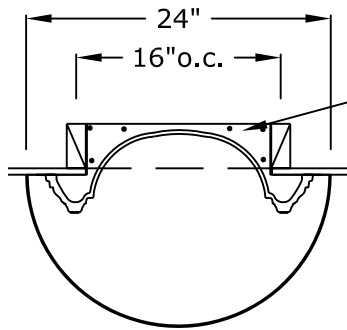
155 North 500 West, Salt Lake City, Utah, 84116

Phone: 801.595.8349 Toll Free 1.800.414.8349

Fax: 801.595.8147 E-mail: info@rwm-inc.com

Visit our website at [www.rwm-inc.com](http://www.rwm-inc.com)

## Standard Wall Niche With Full Radius Seat



Place 2 X 4 backing  
between studs  $\frac{3}{4}$ "  
lower than desired  
finish seat height.  
Glue to backing and  
screw behind finish  
line of niche.

